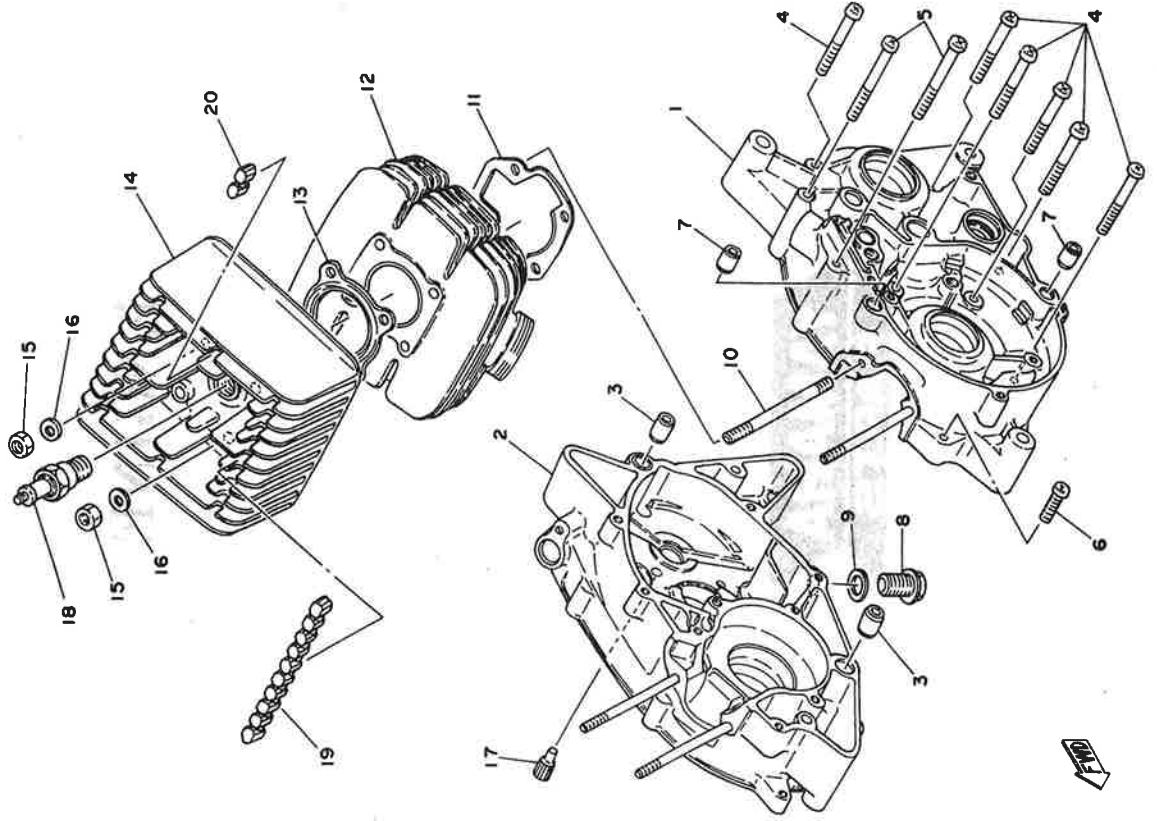
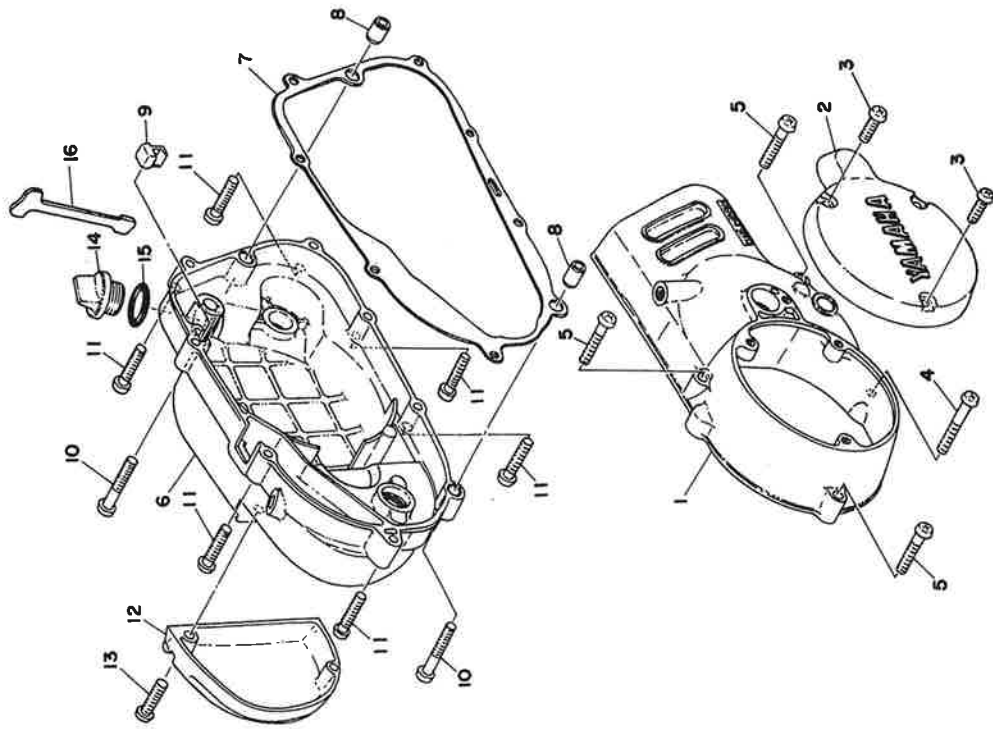


Fig. 1 CRANKCASE · CYLINDER



Ref. No.	Part No.	Description	Qty	Applicable Machine No.	Remarks
1- 1	353-15111-00	CASE, crank left	1		
1- 2	353-15121-02	CASE, crank right	1		
1- 3	91830-22016	PIN, dowel (8.4-12-16)	2		
1- 4	92501-06050	SCREW, panhead	8		
1- 5	92501-06055	SCREW, panhead	2		
1- 6	92501-06025	SCREW, panhead	1		
1- 7	91830-21014	PIN, dowel (6.4-10-14)	2		
1- 8	90340-12005	PLUG (132-15351-00)	1		
1- 9	90430-12038	GASKET (132-15353-00)	1		
1-10	90116-06026	BOLT, stud (109-11361-00)	4		
1-11	353-11351-00	GASKET, cylinder	1		
1-12	2L4-11311-00	CYLINDER	1		
1-13	517-11181-00	GASKET, cylinder head	1		
1-14	2L6-11111-00	HEAD, cylinder	1		
1-15	95301-06600	NUT, hexagon	4		
1-16	92901-06200	WASHER, plain	4		
1-17	492-15387-00	STOPPER, change lever	1		
1-18	94701-00039	PLUG, spark (B-6HS)	1		
1-19	2L4-11127-00	ABSORBER 3	2		
1-20	2L4-11128-00	ABSORBER 4	2		

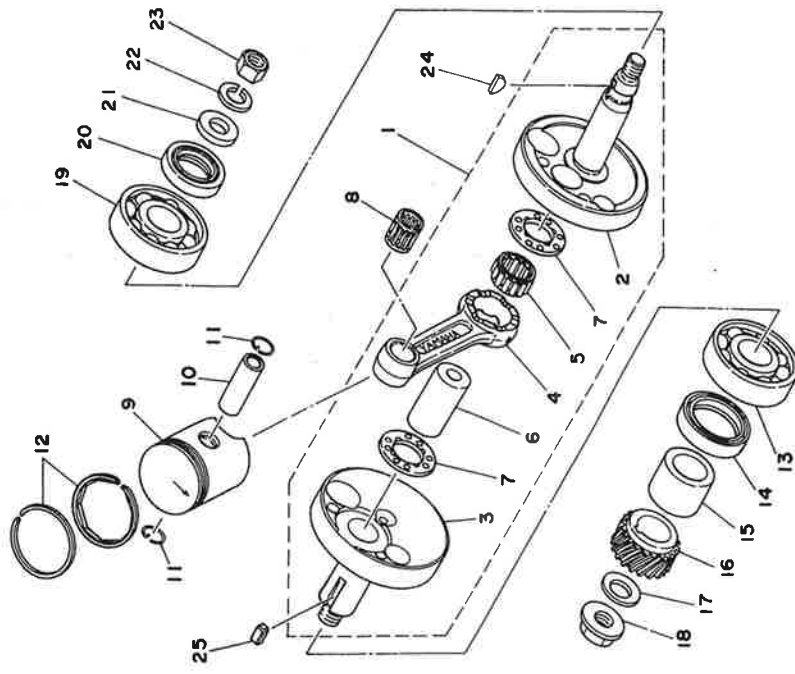
Fig. 2 CRANKCASE COVER



Ref. No.	Part No.	Description	Qty	Applicable Machine No.	Remarks
2-1	353-15411-00-Y4	COVER, crankcase left	1		Metallic Silver
2-2	353-15415-00-Y4	COVER, generator	1		Metallic Silver
2-3	92501-06020	SCREW, panhead	3		
2-4	92501-06045	SCREW, panhead	1		
2-5	92501-06030	SCREW, panhead	3		
2-6	353-15421-00-Y4	COVER, crankcase right	1		Metallic Silver
2-7	353-15451-00	GASKET, crankcase cover	1		
2-8	91830-21014	PIN, dowel (6.4-10-14)	2		
2-9	353-15437-02	SCRAPER, oil	1		
2-10	92501-06040	SCREW, panhead	2		
2-11	92501-06030	SCREW, panhead	7		
2-12	353-15416-00-Y4	COVER, oil pump	1		Metallic Silver
2-13	92501-06025	SCREW, panhead	2		
2-14	353-15362-00	PLUG, oil level	1		
2-15	93210-21190	O-RING (2.6-20.6)	1		
2-16	353-15361-00	GAUGE, level	1		



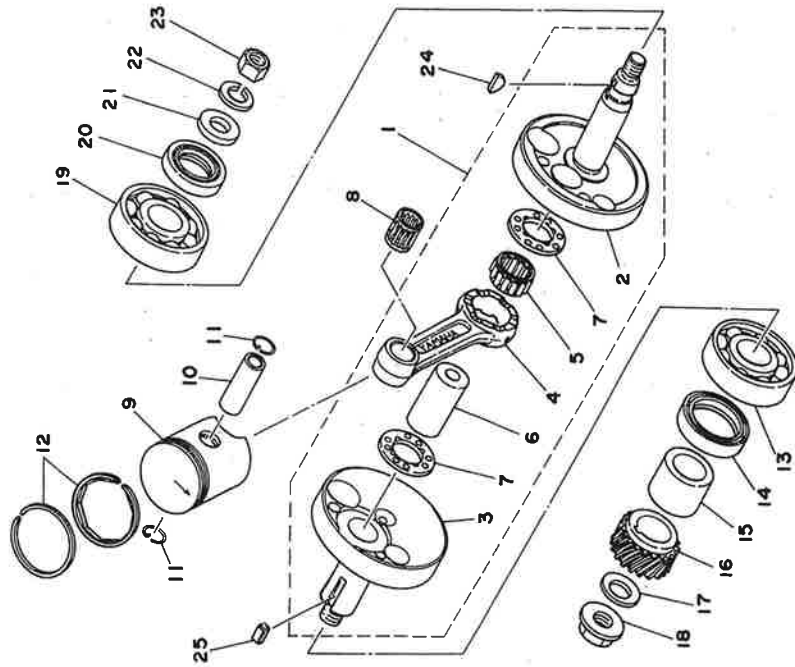
Fig. 3 CRANK · PISTON



Ref. No.	Part No.	Description	Qty	Applicable Machine No.	Remarks
3- 1	538-11400-01	CRANK ASS'Y	1		
3- 2	420-11412-00	CRANK, left	1		
3- 3	420-11422-00	CRANK, right	1		
3- 4	538-11651-00	ROD, connecting	1		
3- 5	93310-418E3	BEARING, con-rod big end	1		
3- 6	257-11681-00	PIN, crank	1		
3- 7	90209-18112	WASHER (132-11685-00)	2		
3- 8	93310-11268	BEARING, con-rod small end	1		
3- 9	2L6-11631-00-96	PISTON (STD 39.96mm)	1		UR
	2L6-11631-00-98	PISTON (STD 39.98mm)	1		
	2L6-11635-00	PISTON (40.25mm 1st O.S)	1		Alternate Parts
	2L6-11636-00	PISTON (40.50mm 2nd O.S)	1		Alternate Parts
	2L6-11637-00	PISTON (40.75mm 3rd O.S)	1		Alternate Parts
	2L6-11638-00	PISTON (41.00mm 4th O.S)	1		Alternate Parts
3-10	517-11633-00	PIN, piston	1		
3-11	93450-13022	CIRCLIP (132-11634-00)	2		
3-12	260-11601-03	PISTON RING SET (STD)	1		
	260-11601-13	PISTON RING SET (1st O.S)	1		Alternate Parts
	260-11601-23	PISTON RING SET (2nd O.S)	1		Alternate Parts
	260-11601-33	PISTON RING SET (3rd O.S)	1		Alternate Parts
	260-11601-43	PISTON RING SET (4th O.S)	1		Alternate Parts
3-13	93306-20418	BEARING (B6204CS)	1		
3-14	93103-28011	OIL SEAL (SW-28-40-8)	1		
3-15	90387-20170	COLLAR (248-16136-00)	1		
3-16	353-16111-01	GEAR, primary drive (19T)	1		
3-17	90208-12015	WASHER (164-16119-00)	1		
3-18	90179-12244	NUT	1		
3-19	93306-20418	BEARING (B6204CS)	1		
3-20	93102-20009	OIL SEAL (SD-20-35-7)	1		

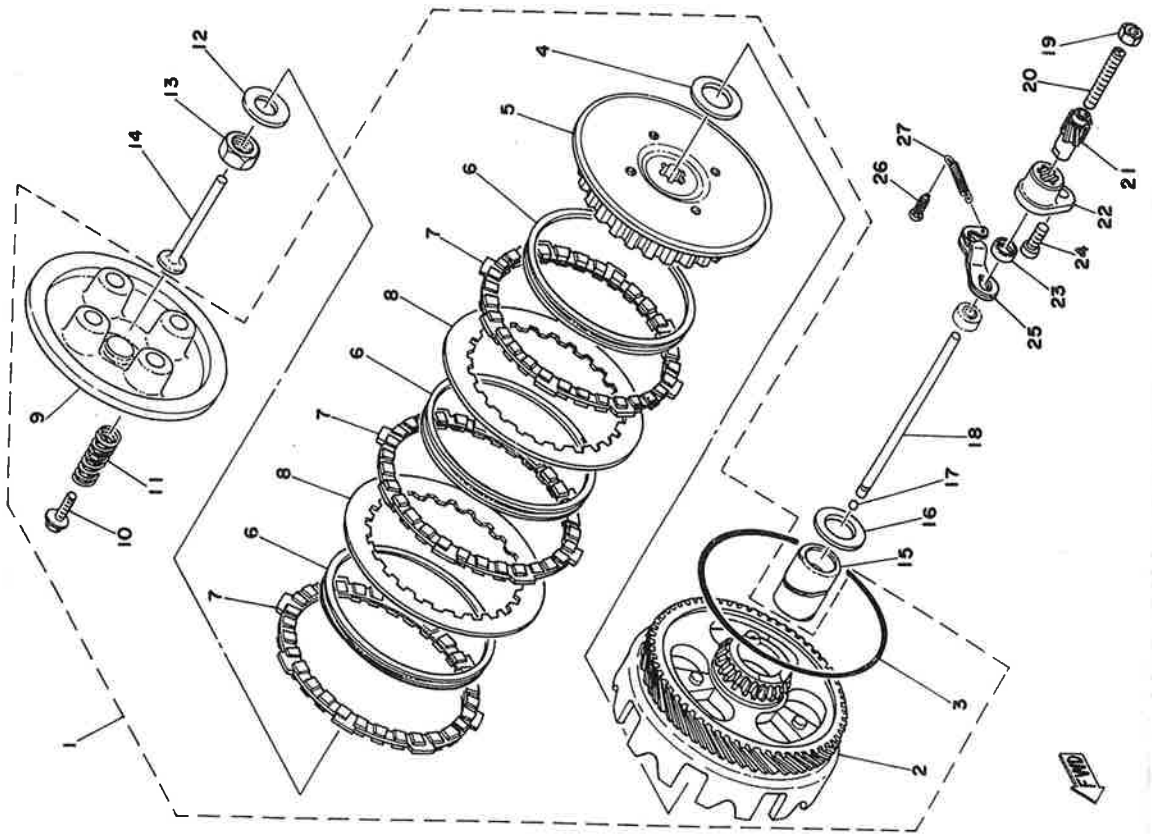


Fig. 3 CRANK · PISTON



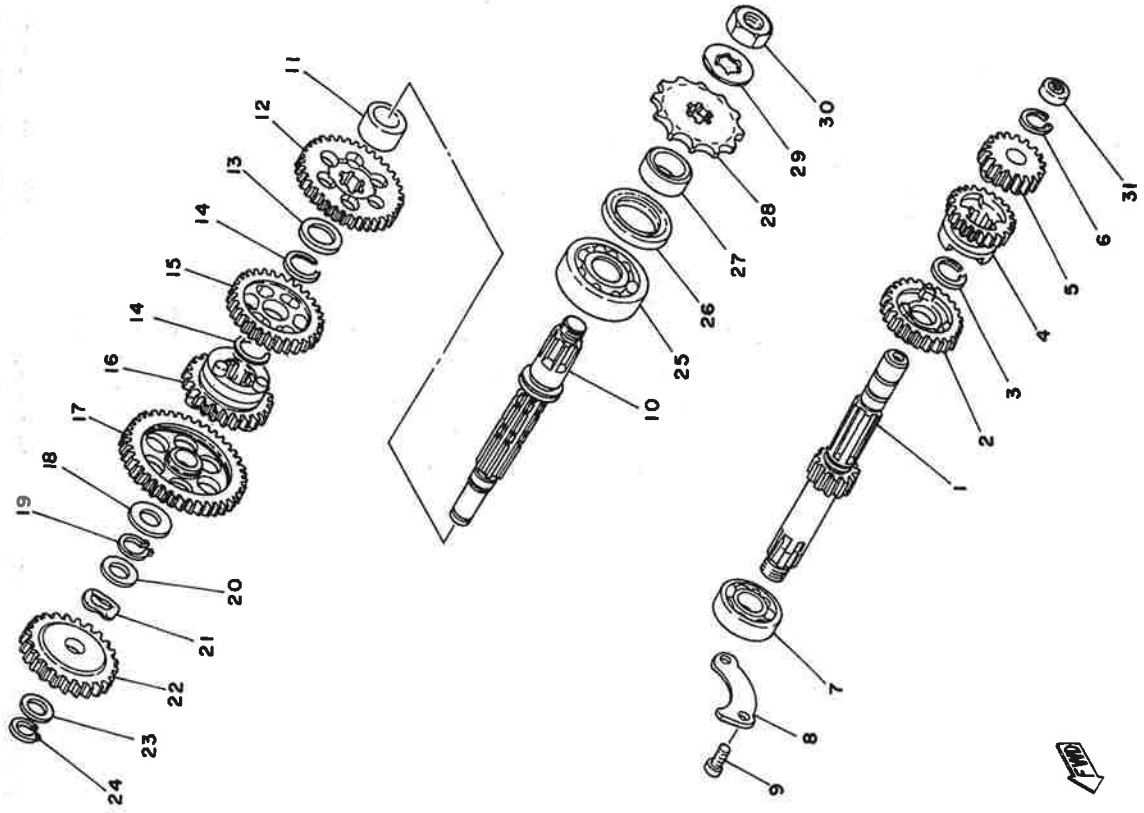
Ref. No.	Part No.	Description	Qty	Applicable Machine No.	Remarks
3-21	90201-12535	WASHER, plate (12.2-22-3.2)	1		
3-22	92901-12100	WASHER, spring	1		
3-23	90170-12175	NUT, hexagon (98801-12200)	1		
3-24	90280-03017	KEY, woodruff (146-11545-00)	1		
3-25	90282-05005	KEY, straight (353-11546-00)	1		

Fig. 4 CLUTCH



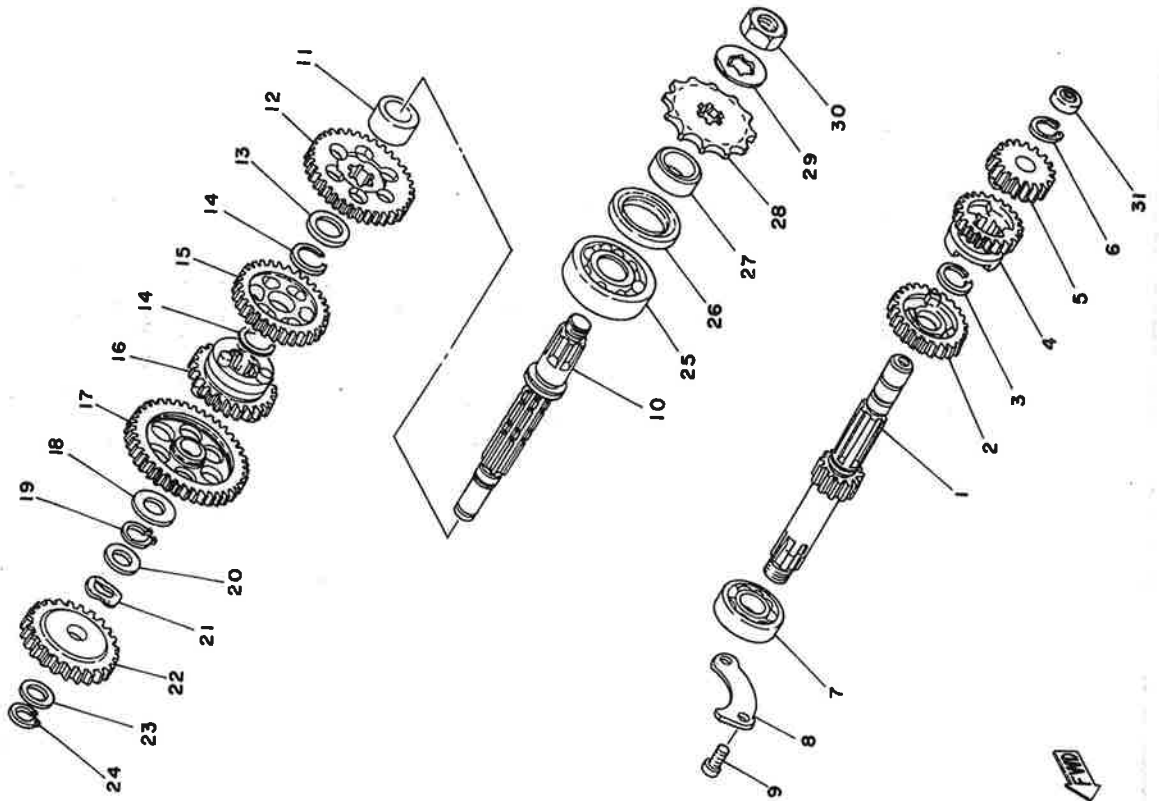
Ref. No.	Part No.	Description	Qty	Applicable Machine No.	Remarks
4-1	2A3-16301-00	CLUTCH ASS'Y	1		
4-2	2A3-16150-00	PRIMARY DRIVEN GEAR COMP. (68T)	1		
4-3	93210-98202	O-RING (5.33-97.76)	1		
4-4	122-16164-00	PLATE, thrust (17.2-30-2)	1		
4-5	353-16371-00	BOSS, clutch	1		
4-6	131-16367-00	RING, cushion	3		
4-7	131-16321-00	PLATE, friction	3		
4-8	257-16324-00	PLATE, clutch	2		
4-9	353-16351-00	PLATE, pressure	1		
4-10	90119-05001	BOLT, hexagon with washer	4		
4-11	90501-20125	SPRING (132-16333-00)	4		
4-12	90208-12015	WASHER (164-16119-00)	1		
4-13	90170-12060	NUT, hexagon (137-16377-00)	1		
4-14	137-16356-00	ROD, push 1	1		
4-15	90560-17123	SPACER (131-16181-01)	1		
4-16	122-16164-00	PLATE, thrust (17.2-30-2)	1		
4-17	93503-16010	BALL (3/16 inch)	1		
4-18	353-16357-00	ROD, push 2	1		
4-19	95301-06700	NUT, hexagon	1		
4-20	90113-06013	BOLT, set (241-16343-00)	1		
4-21	241-16341-01	SCREW, push	1		
4-22	353-16396-00	HOUSING, push screw	1		
4-23	93104-11028	OIL SEAL (SO-10.5-15-3)	1		
4-24	92501-06015	SCREW, panhead	1		
4-25	451-16342-00	LEVER, push	1		
4-26	132-16346-00	HOOK, spring	1		
4-27	90506-07066	SPRING, tension (257-16345-00)	1		

Fig. 5 TRANSMISSION



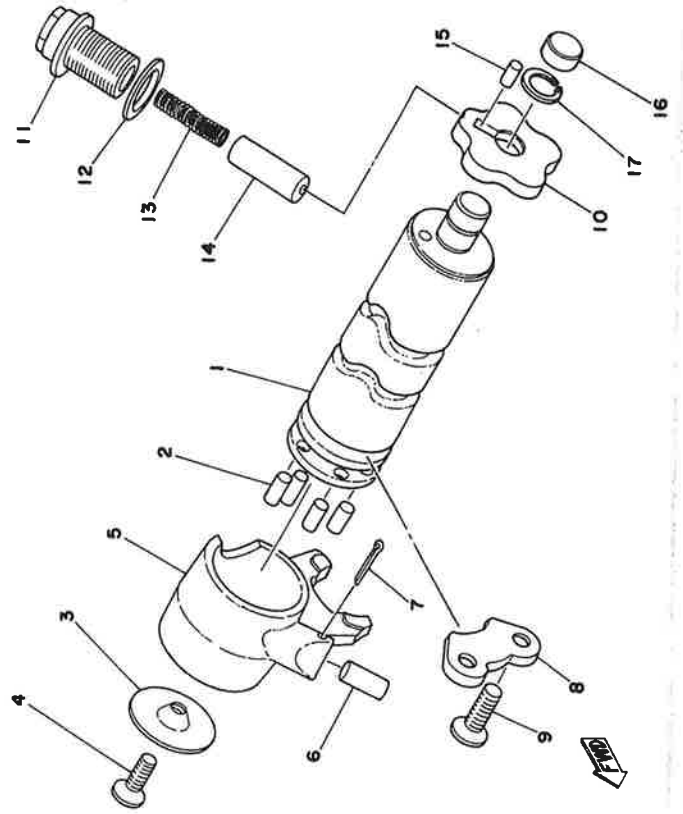
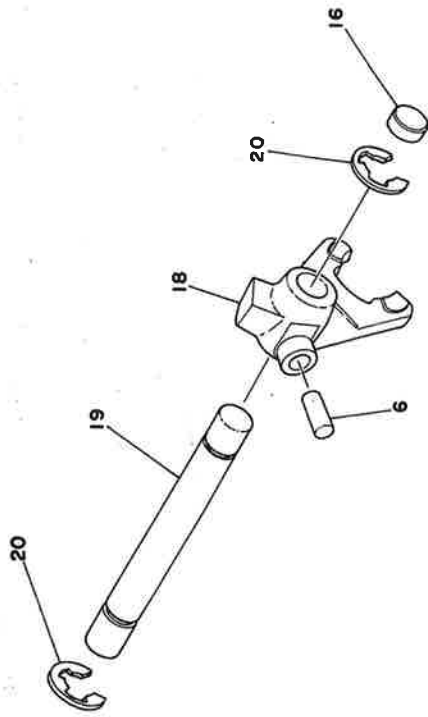
Ref. No.	Part No.	Description	Qty	Applicable Machine No.	Remarks
5-1	353-17411-10	AXLE, main (12T)	1		
5-2	353-17141-01	GEAR, 4th pinion (24T)	1		
5-3	93440-16030	CIRCLIP (257-17414-00)	1		
5-4	353-17131-00	GEAR, 3rd pinion (21T)	1		
5-5	353-17121-10	GEAR, 2nd pinion (17T)	1		
5-6	93410-13004	CIRCLIP (S-13)	1		
5-7	93306-20303	BEARING (B6203Z)	1		
5-8	353-17471-00	PLATE, bearing cover	1		
5-9	92501-06012	SCREW, panhead	2		
5-10	598-17421-00	AXLE, drive	1		
5-11	90387-16126	COLLAR (367-17419-00)	1		
5-12	353-17221-00	GEAR, 2nd wheel (34T)	1		
5-13	214-17428-00-09	SHIM, drive axle	1		
5-14	93440-16030	CIRCLIP (257-17414-00)	2		
5-15	353-17231-00	GEAR, 3rd wheel (30T)	1		
5-16	353-17241-00	GEAR, 4th wheel (27T)	1		
5-17	353-17211-00	GEAR, 1st wheel (39T)	1		
5-18	257-17219-00	SHIM (13.2-24-0.6)	1		
5-19	93410-13004	CIRCLIP (S-13)	1		
5-20	90201-13202	WASHER, plate (201-15653-00)	1		
5-21	90206-15021	WASHER, wave (137-15643-00)	1		
5-22	353-15651-00	GEAR, kick idle (25T)	1		
5-23	102-18137-00-10	WASHER, change shaft	1		
5-24	93410-12003	CIRCLIP (S-12)	1		
5-25	93306-30301	BEARING (B6303)	1		
5-26	93102-25017	OIL SEAL (SD-25-40-5)	1		
5-27	90387-17137	COLLAR (257-17462-00)	1		

Fig. 5 TRANSMISSION



Ref. No.	Part No.	Description	Qty	Applicable Machine No.	Remarks
5-28	257-17461-11	SPROCKET, drive (11T) .....	1		STD
	257-17461-21	SPROCKET, drive (12T) .....	1		
	257-17461-31	SPROCKET, drive (13T) .....	1		U.R.
5-29	90215-13019	WASHER, lock (257-17464-00) .....	1		
5-30	90179-12181	NUT, lock .....	1		
5-31	257-15389-00	SEAL, push rod .....	1		

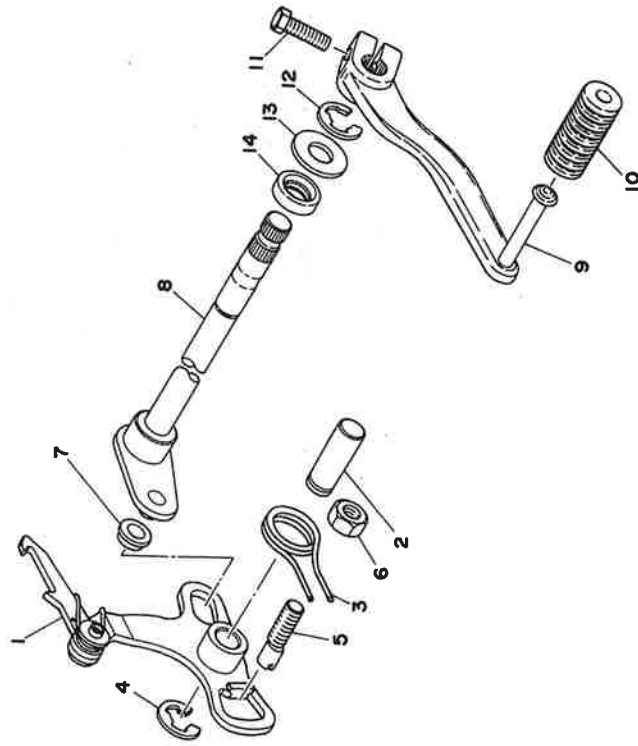
Fig. 6 SHIFTER 1



Ref. No.	Part No.	Description	Qty	Applicable Machine No.	Remarks
6-1	367-18541-01	CAM, shift	1		
6-2	93604-10011	PIN, dowel (4-10)	4		
6-3	214-18561-00	PLATE, side	1		
6-4	98701-05012	SCREW, flathead	1		
6-5	353-18511-01	FORK, shift 1	1		
6-6	93606-14081	PIN, dowel (6-14.5)	2		
6-7	91401-25017	PIN, cotter	1		
6-8	353-18562-00	PLATE, stopper 2	1		
6-9	92701-06012	SCREW, flathead	2		
6-10	374-18141-00	PLATE, stopper 1	1		
6-11	90109-14485	BOLT, hexagon	1		
6-12	137-15353-00	GASKET, drain plug (14-21-15)	1		
6-13	90501-09292	SPRING, compression	1		
6-14	353-18547-00	STOPPER, cam	1		
6-15	93604-08071	PIN, dowel (4-8)	1		
6-16	90334-12009	PLUG, straight (296-15385-00)	2		
6-17	93440-12026	CIRCLIP (12φ special)	1		
6-18	353-18512-01	FORK, shift 2	1		
6-19	214-18531-00	BAR, shift fork guide	1		
6-20	93430-10016	CIRCLIP (E-10)	2		



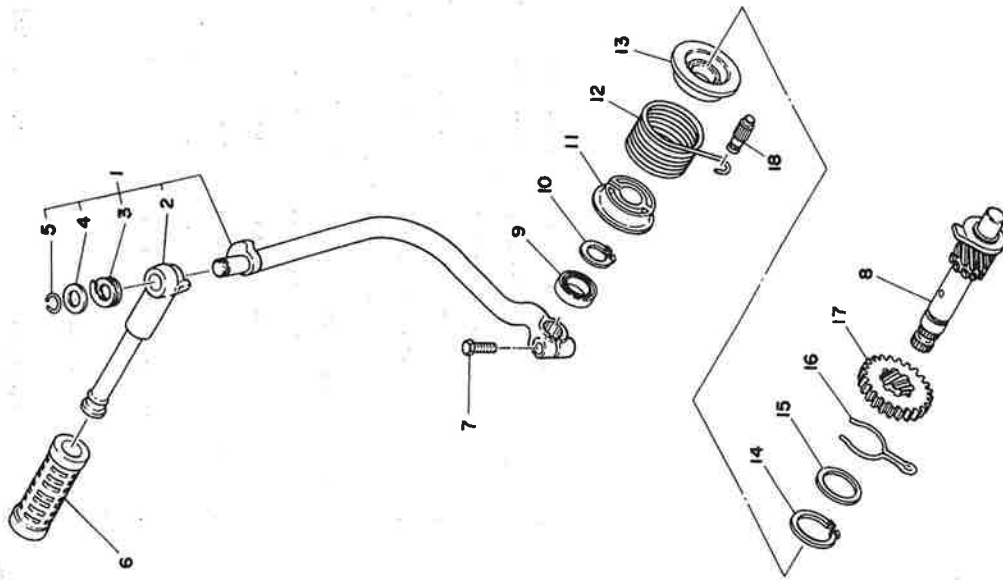
Fig. 7 SHIFTER 2



Ref. No.	Part No.	Description	Qty	Applicable Machine No.	Remarks
7- 1	353-18120-00	CHANGE LEVER ASSY	1		
7- 2	367-18197-00	SHAFT	1		
7- 3	90508-32054	SPRING, torsion (353-18124-00)	1		
7- 4	93430-10016	CIRCLIP (E-10)	1		
7- 5	90149-08094	SCREW, adjusting	1		
7- 6	95301-08600	NUT, hexagon	1		
7- 7	214-18178-00	ROLLER, change lever	1		
7- 8	353-18101-00	CHANGE SHAFT ASSY	1		
7- 9	353-18111-00-93	PEDAL, change	1		
7-10	132-18113-01	COVER, change pedal	1		
7-11	97321-06020	BOLT, hexagon	1		
7-12	93430-10016	CIRCLIP (E-10)	1		
7-13	90201-12575	WASHER, plate (12.1-25.8-1.6)	1		
7-14	93101-12004	OIL SEAL (S-12-22-5)	1		



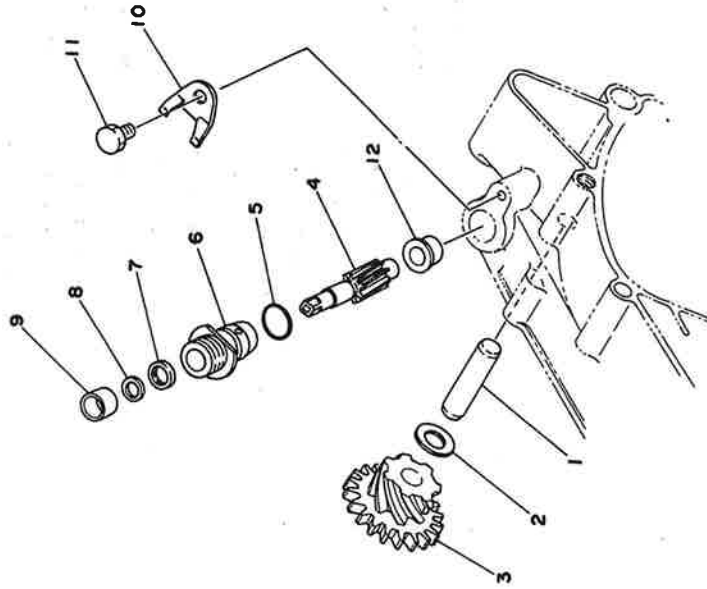
Fig. 8 KICK STARTER



Ref. No.	Part No.	Description	Qty	Applicable Machine No.	Remarks
8-1	2E1-15610-00	KICK CRANK ASSY	1		
8-2	283-15612-01	LEVER, kick	1		
8-3	90504-18005	SPRING (132-15625-01)	1		
8-4	90209-10108	WASHER (132-15616-01)	1		
8-5	93440-10028	CIRCLIP (132-15617-00)	1		
8-6	156-15618-01	COVER, kick lever	1		
8-7	97311-06025	BOLT, hexagon	1		
8-8	353-15660-02	KICK AXLE ASSY	1		
8-9	93109-15001	OIL SEAL (SDO-15-26-6)	1		
8-10	93410-15005	CIRCLIP (S-15)	1		
8-11	132-15676-01	COVER, kick spring	1		
8-12	90508-29323	SPRING, torsion	1		
8-13	132-15664-01	GUIDE, kick spring	1		
8-14	93410-25017	CIRCLIP (S-25)	1		
8-15	117-15644-00	SHIM (25, 1-32-1)	1		
8-16	90468-26038	CIRCLIP (353-15687-00)	1		
8-17	353-15641-00	GEAR, kick (24T)	1		
8-18	248-15668-00	STOPPER, kick spring	1		

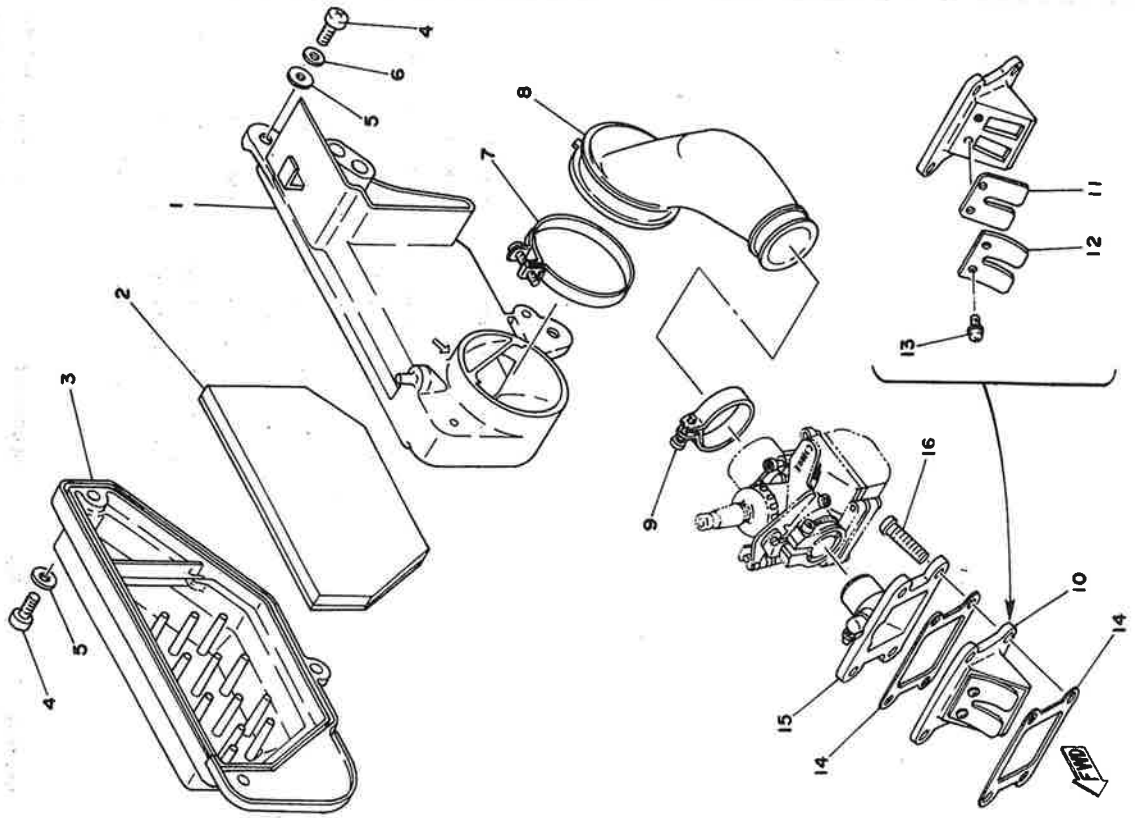


Fig. 9 TACHOMETER GEAR



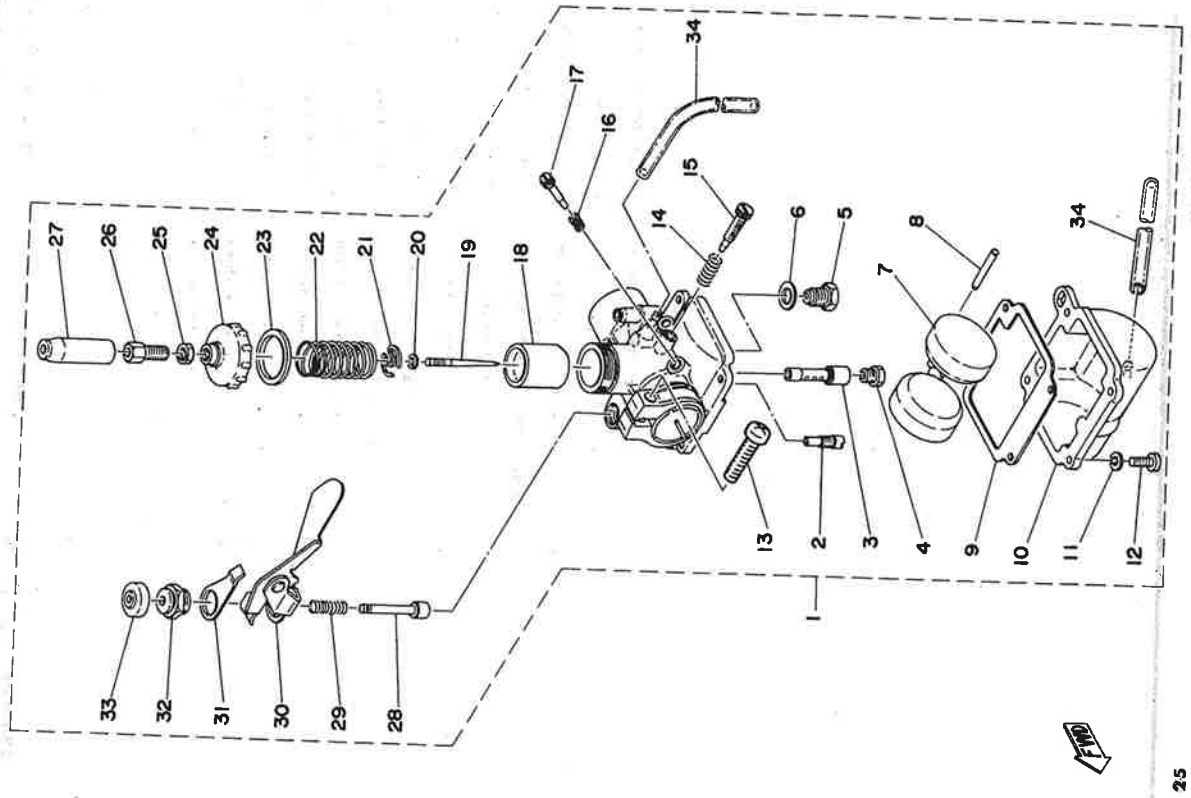
Ref. No.	Part No.	Description	Qty	Applicable Machine No.	Remarks
9- 1	237-17861-00	AXLE, drive gear	1		
9- 2	248-17837-00	SHIM (10.2-16-1)	1		
9- 3	353-17831-00	GEAR, drive	1		
9- 4	214-17841-01	GEAR, driven (9T)	1		
9- 5	93210-13016	O-RING (1.8-13)	1		
9- 6	214-17811-02	HOUSING	1		
9- 7	353-17816-00	SEAL, housing	1		
9- 8	214-17847-00	SHIM (7.5-10.8-0.4)	1		
9- 9	90383-10005	BUSHING (214-17815-00)	1		
9-10	214-17812-00	STOPPER	1		
9-11	97301-06010	BOLT, hexagon	1		
9-12	90381-08002	BUSHING (214-17843-00)	1		

Fig. 10 INTAKE



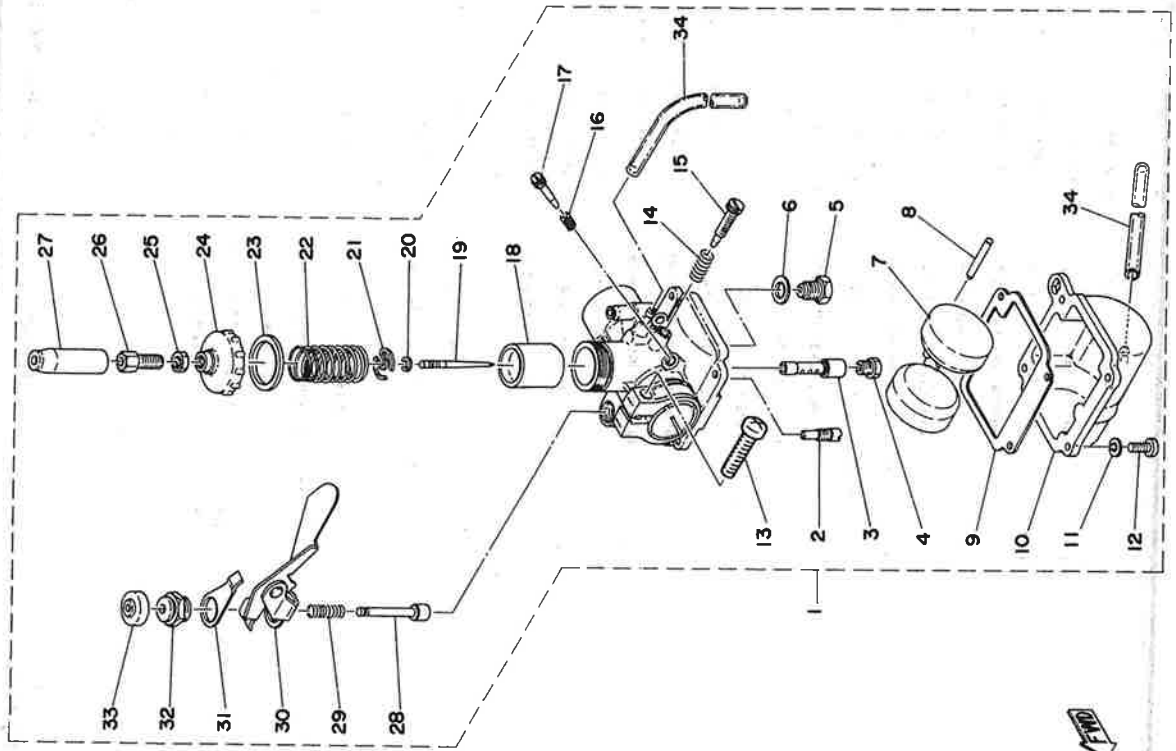
Ref. No.	Part No.	Description	Qty	Applicable Machine No.	Remarks
10- 1	2L4-14411-00	CASE, air cleaner	1		
10- 2	2L4-14451-00	ELEMENT, air cleaner	1		
10- 3	2L4-14412-00	CAP, air cleaner	1		
10- 4	92501-06014	SCREW, panhead	5		
10- 5	92901-06600	WASHER, plate	3		
10- 6	90201-06055	WASHER, plate	2		
10- 7	90460-64142	CLAMP, hose	1		
10- 8	2L4-14453-00	JOINT, air cleaner	1		
10- 9	90460-33087	CLAMP, hose	1		
10-10	353-13610-01	REED VALVE ASSY	1		
10-11	314-13613-00	REED, valve	1		
10-12	314-13616-01	STOPPER, reed valve	1		
10-13	97602-03108	SCREW, panhead with washer	2		
10-14	353-13621-00	PACKING, valve seat	2		
10-15	1G5-13505-00	JOINT COMP.	1		
10-16	92501-06020	SCREW, panhead	4		

Fig. 11 CARBURETOR



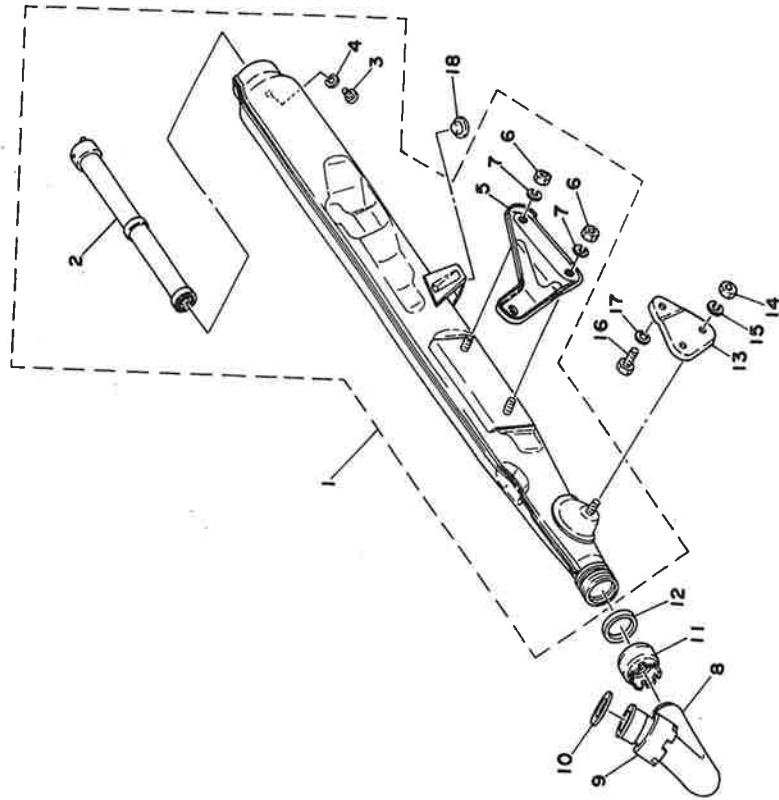
Ref. No.	Part No.	Description	Qty	Applicable Machine No.	Remarks
11-1	2L6-14301-00	CARBURETOR ASS'Y	1		
11-2	367-14342-17	. JET, pilot (#34)	1		
11-3	288-14341-03	. NOZZLE, main	1		
11-4	288-14343-33	. JET, main (#66)	1	U.R	STD
	288-14343-34	. JET, main (#68)			
	288-14343-35	. JET, main (#70)			
11-5	367-14390-14	. VALVE SEAT ASS'Y (#1.4)	1		
11-6	367-14195-00	. WASHER, valve seat	1		
11-7	1G5-14385-00	. FLOAT	1		
11-8	367-14386-00	. PIN, float	1		
11-9	1G5-14384-00	. GASKET, float chamber	1		
11-10	1G5-14381-25	. BODY, float chamber	1		
11-11	92901-04100	. WASHER, spring	4		
11-12	98503-04010	. SCREW, panhead	4		
11-13	97801-06025	. SCREW, panhead	1		
11-14	646-14212-01	. SPRING, pilot adjusting	1		
11-15	646-14211-02	. SCREW, pilot adjusting	1		
11-16	367-14337-00	. SPRING, air adjusting	1		
11-17	367-14323-00	. SCREW, air adjusting	1		
11-18	1G5-14312-05	. VALVE, throttle (#0.5)	1		
11-19	1G3-14336-00	. NEEDLE (059-2/5)	1		
11-20	288-14137-00	. CLIP	1		
11-21	367-14136-02	. SEAT, spring	1		
11-22	367-14331-00	. SPRING, throttle valve	1		
11-23	367-14126-00	. PACKING	1		
11-24	367-14168-00	. CAP, mixing chamber	1		
11-25	288-14161-00	. NUT, wire adjusting	1		
11-26	288-14124-00	. SCREW, wire adjusting	1		
11-27	367-14169-00	. CAP	1		

Fig. 11 CARBURETOR



Ref. No.	Part No.	Description	Qty	Applicable Machine No.	Remarks
11-28	367-14371-00	PLUNGER, starter	1		
11-29	367-14335-00	SPRING, plunger	1		
11-30	367-14375-01	LEVER, starter	1		
11-31	367-14377-00	STOPPER	1		
11-32	367-14374-00	CAP, plunger	1		
11-33	367-14373-00	COVER, plunger cap	1		
11-34	367-14396-00	PIPE, overflow (3-190)	2		

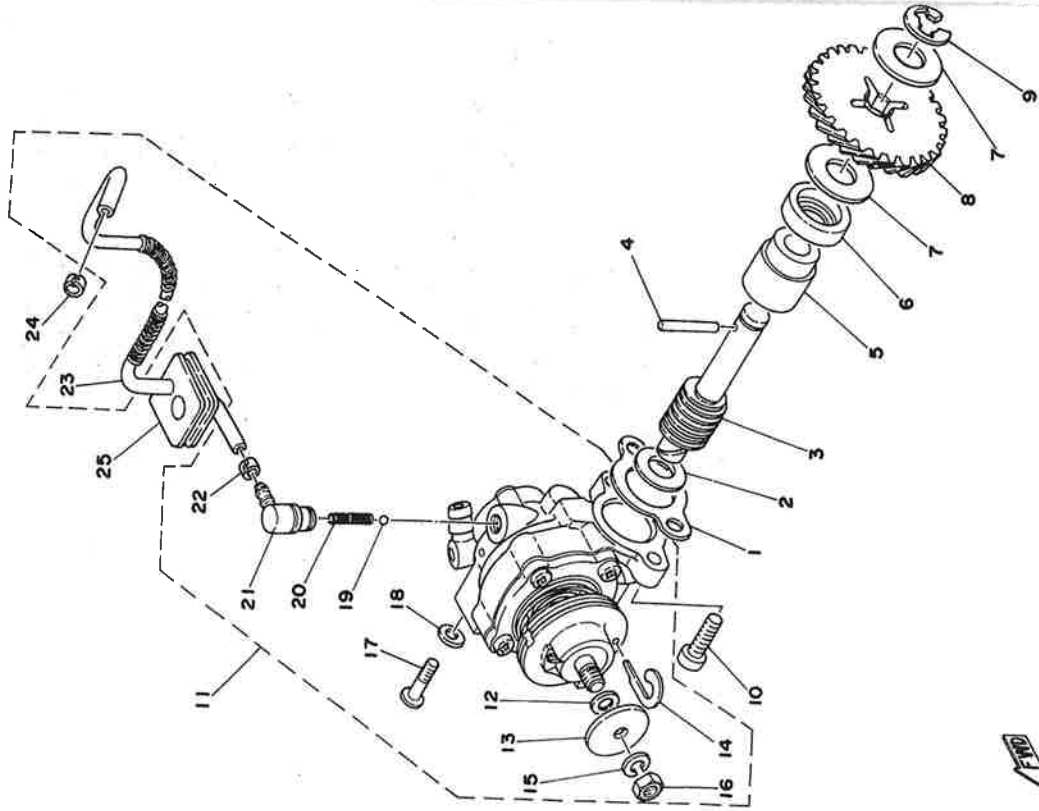
Fig. 12 EXHAUST



Ref. No.	Part No.	Description	Qty	Applicable Machine No.	Remarks
12- 1	2L6-14710-00	MUFFLER ASSY	1		
12- 2	2L6-14753-00	SILENCER	1		
12- 3	98501-05008	SCREW, panhead	1		
12- 4	92901-05100	WASHER, spring	1		
12- 5	2E1-14772-00	STAY, muffler 2	1		
12- 6	95301-06600	NUT, hexagon	2		
12- 7	92901-06100	WASHER, spring	2		
12- 8	2E0-14611-00	PIPE, exhaust	1		
12- 9	1L4-14612-00	NUT, ring	1		
12-10	132-14613-00	GASKET, exhaust pipe	1		
12-11	1J5-14713-00	NUT, muffler joint	1		
12-12	1J5-14714-00	GASKET, muffler joint	1		
12-13	2E1-14771-00	STAY, muffler 1	1		
12-14	95301-08600	NUT, hexagon	1		
12-15	92901-08100	WASHER, spring	1		
12-16	97321-08018	BOLT, hexagon	2		
12-17	92901-08100	WASHER, spring	2		
12-18	1M3-27114-00	STOPPER, main stand	1		



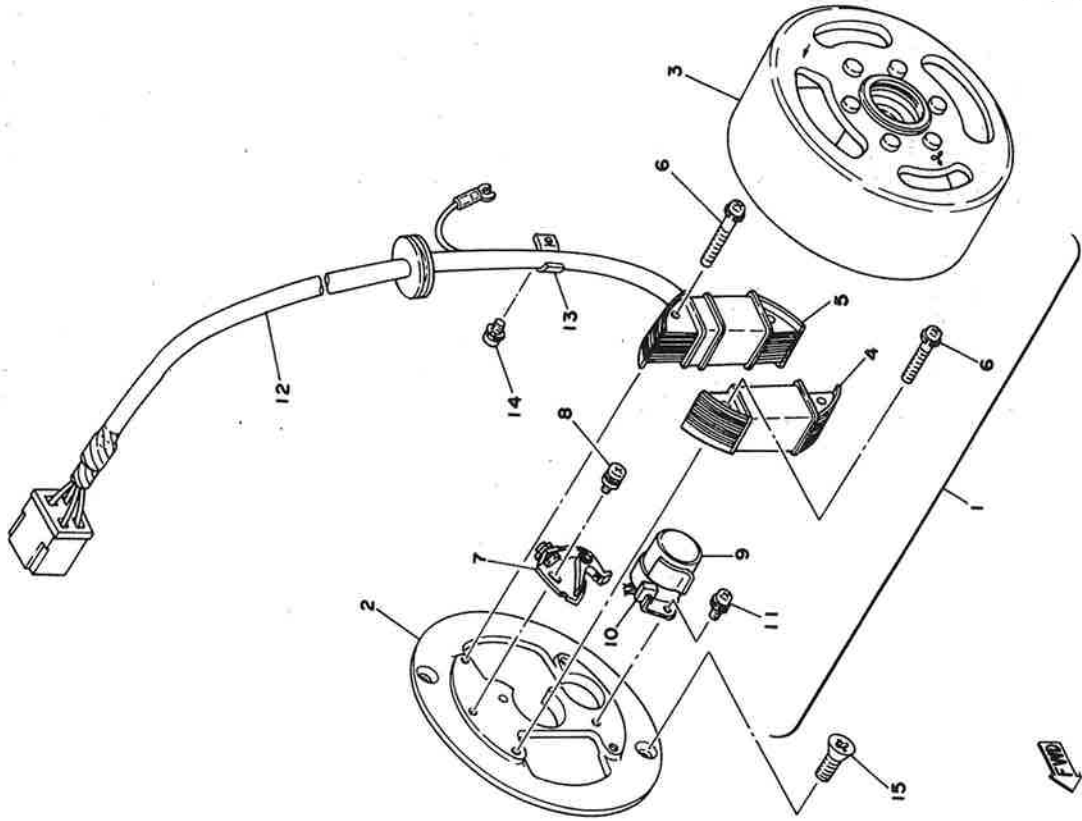
Fig. 13 OIL PUMP



Ref. No.	Part No.	Description	Qty	Applicable Machine No.	Remarks
13-1	126-13116-00	GASKET, pump case	1		
13-2	90201-08624	WASHER, plate (8.2-11-1.0)	1		
13-3	257-13175-00	SHAFT, worm	1		
13-4	93603-22028	PIN, dowel (3-22)	1		
13-5	1E7-13176-00	METAL, worm shaft outer	1		
13-6	93101-10001	OIL SEAL (S-10-21-5)	1		
13-7	90201-10135	WASHER, plate (102-18138-00)	2		
13-8	353-13178-00	GEAR, drive (28T)	1		
13-9	93430-08006	CIRCLIP (E-8)	1		
13-10	98501-05016	SCREW, panhead	2		
13-11	1K8-13101-01	OIL PUMP ASSY	1		
13-12	137-13137-00-03	SHIM, plunger (5.8-10-0.3)	1		UR
	137-13137-00-05	SHIM, plunger (5.8-10-0.5)	1		
	137-13137-00-10	SHIM, plunger (5.8-10-1.0)	1		
13-13	137-13138-01	PLATE, starter	1		
13-14	367-13146-01	COVER	1		
13-15	92901-05100	WASHER, spring	1		
13-16	95301-05600	NUT, hexagon	1		
13-17	98901-04008	SCREW, blind	1		
13-18	90430-04004	GASKET (137-19187-00)	1		
13-19	93505-32002	BALL (5/32 inch)	1		
13-20	90501-02217	SPRING, check ball	1		
13-21	353-13352-01	NOZZLE	1		
13-22	90468-02033	CLIP (214-13164-00)	1		
13-23	90445-05217	HOSE (353-13161-00)	1		
13-24	90468-02033	CLIP (214-13164-00)	1		
13-25	248-13174-00	HOLDER, oil pipe	1		

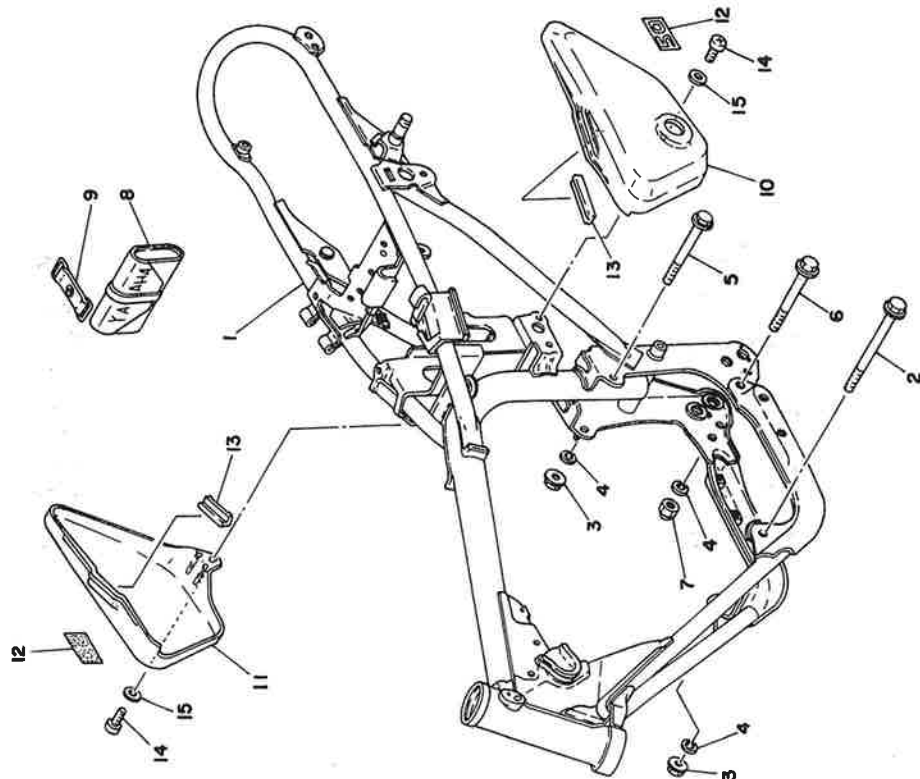


Fig. 14 FLYWHEEL MAGNETO



Ref. No.	Part No.	Description	Q'ty	Applicable Machine No.	Remarks
14- 1	2E4-81300-20	FLYWHEEL MAGNETO ASSY . . .	1		
14- 2	520-81309-20	. BASE, magneto . . . . .	1		
14- 3	353-81350-20	. ROTOR ASSY . . . . .	1		
14- 4	207-81312-21	. COIL, source . . . . .	1		
14- 5	353-81313-20	. COIL, lighting . . . . .	1		
14- 6	110-81348-21	. SCREW, panhead (4-25) . . . . .	4		
14- 7	2A6-81321-20	. CONTACT BREAKER ASSY . . . .	1		
14- 8	110-81346-21	. SCREW, panhead (4-10) . . . . .	1		
14- 9	1K8-81325-20	. CONDENSER . . . . .	1		
14-10	116-81331-20	. LUBRICATOR . . . . .	1		
14-11	110-81347-21	. SCREW, panhead (4-10) . . . . .	1		
14-12	2E4-81315-20	. LEAD WIRE ASSY . . . . .	1		
14-13	104-81328-20	. CLAMP, lead . . . . .	1		
14-14	110-81345-21	. SCREW, panhead (4-6) . . . . .	1		
14-15	98701-05015	SCREW, flathead . . . . .	2		

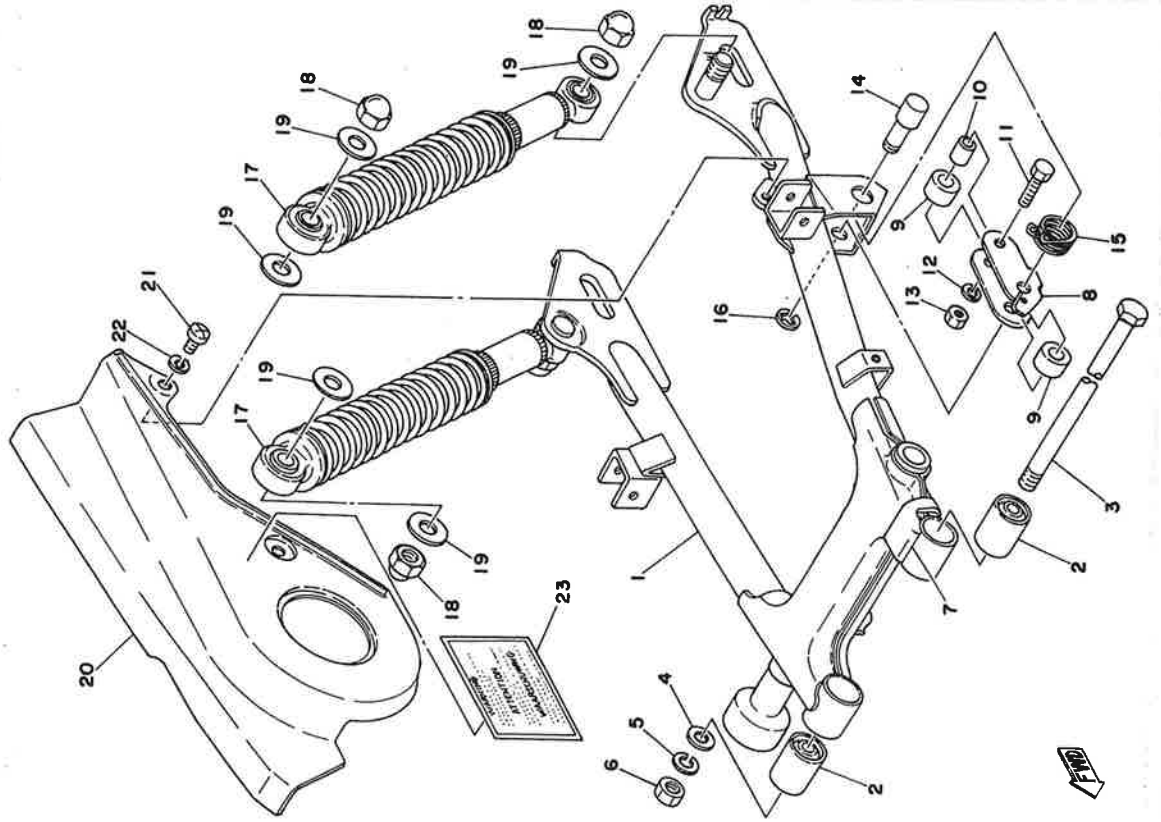
Fig. 15 FRAME · SIDE COVER



Ref. No.	Part No.	Description	Qty	Applicable Machine No.	Remarks
15- 1	2L6-21110-00-33	FRAME COMP.	1		Yamaha Black
15- 2	95821-08120	BOLT, flange	1		
15- 3	95701-08100	NUT, flange	2		
15- 4	92901-08100	WASHER, spring	3		
15- 5	95821-08090	BOLT, flange	1		
15- 6	95821-08100	BOLT, flange	1		
15- 7	95601-08100	NUT, U	1		
15- 8	353-28100-11	TOOL ASS'Y	1		
15- 9	288-21376-00	BAND, tool	1		
15-10	353-21711-00-E1	COVER, side left	1		Chappy Red New Portuguese Orange
	353-21711-00-U2	COVER, side left	1		Yamaha Black
	353-21711-00-33	COVER, side left	1		Marine Blue
	353-21711-00-75	COVER, side left	1		Chappy Red
15-11	353-21721-00-E1	COVER, side right	1		New Portuguese Orange
	353-21721-00-U2	COVER, side right	1		Yamaha Black
	353-21721-00-33	COVER, side right	1		Marine Blue
	353-21721-00-75	COVER, side right	1		
15-12	2M4-14729-00	EMBLEM, protector	2		
15-13	353-21717-00	DAMPER, side cover	2		
15-14	92501-06015	SCREW, panhead	2		
15-15	90201-06067	WASHER, plate	2		

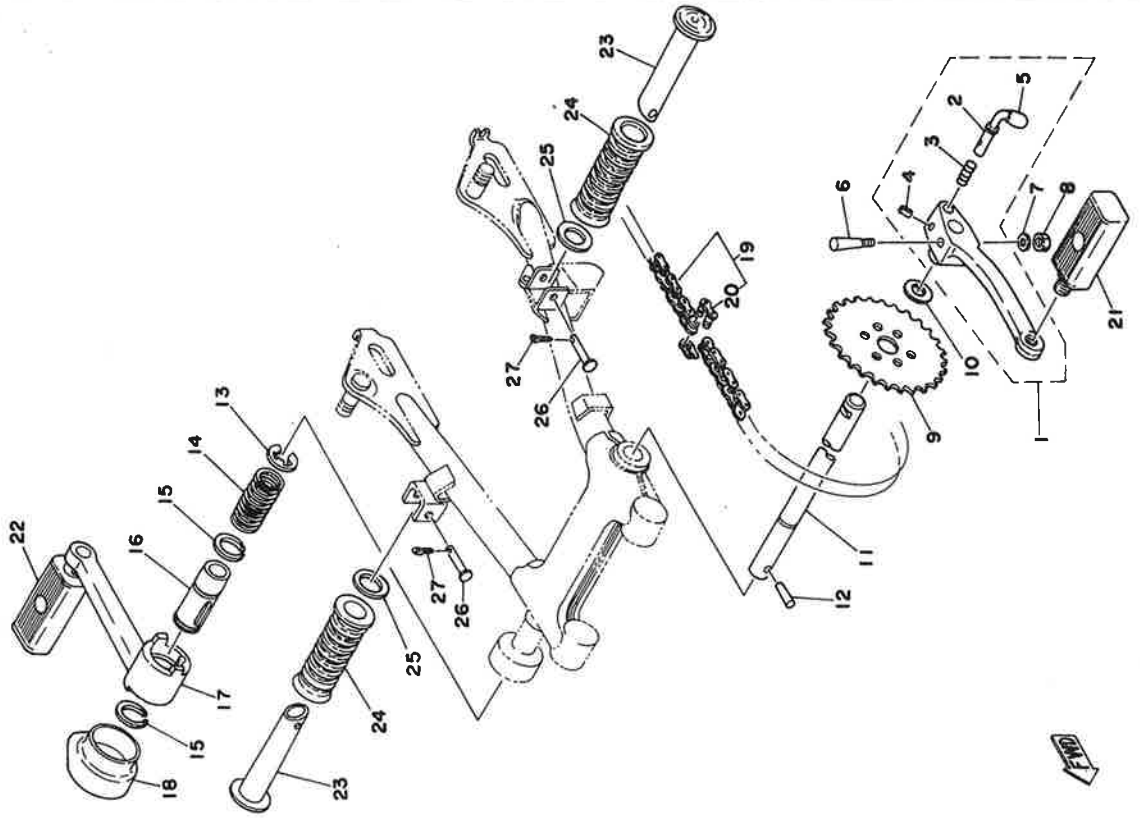


Fig. 16 REAR ARM · REAR CUSHION · CHAIN CASE



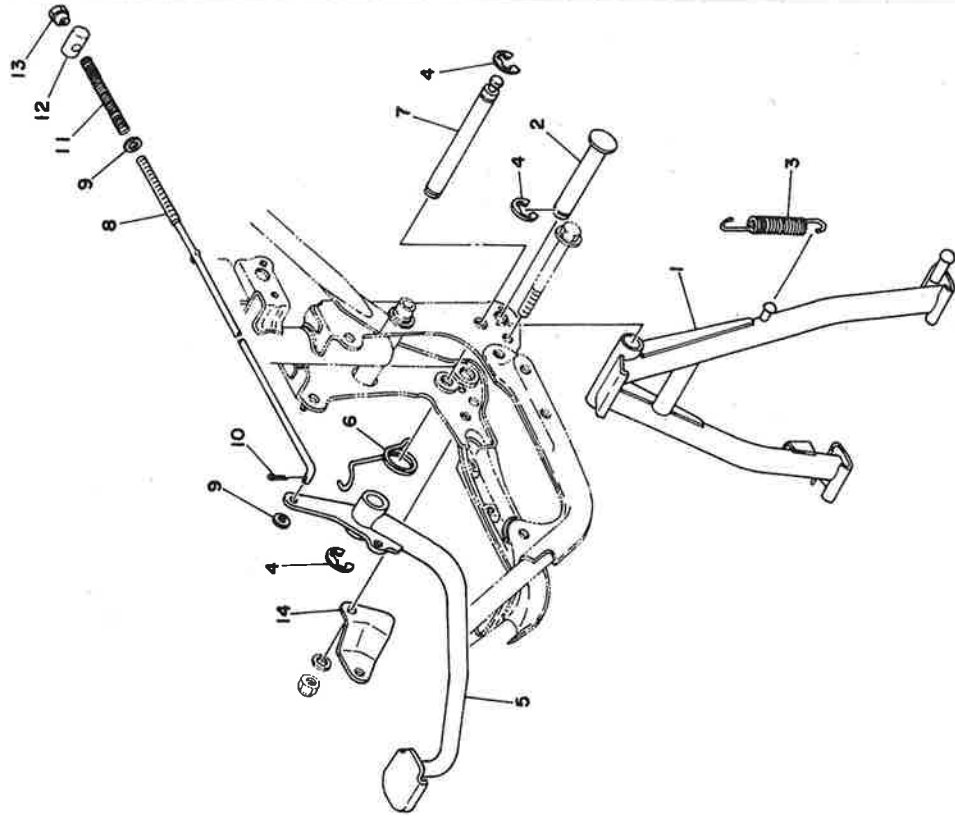
Ref. No.	Part No.	Description	Q'ty	Applicable Machine No	Remarks
16- 1	2L5-22110-00-33	REAR ARM COMP.	1		Yamaha Black
16- 2	102-22123-00	BUSHING, rear arm	2		
16- 3	353-22141-02	SHAFT, pivot	1		
16- 4	92901-10600	WASHER, plate	2		
16- 5	92901-10100	WASHER, spring	1		
16- 6	95301-10600	NUT, hexagon	1		
16- 7	183-22151-00	SEAL, guard	1		
16- 8	550-22179-00	ARM, tensioner	1		
16- 9	550-22178-00	TENSIONER	2		
16-10	90387-06268	COLLAR (6.5-8.9-15)	1		
16-11	97301-06025	BOLT, hexagon	1		
16-12	92901-06100	WASHER, spring	1		
16-13	95301-06700	NUT, hexagon	1		
16-14	1F1-22122-00	SHAFT, tensioner	1		
16-15	90508-20300	SPRING, torsion (214-27426-00)	1		
16-16	93430-08006	CIRCLIP (E-8)	1		
16-17	353-22210-20-93	REAR CUSHION ASS'Y	2		
16-18	95304-12800	NUT, hexagon	4		
16-19	90201-12190	WASHER, plate (122-22243-00)	6		
16-20	1G7-22311-00-35	CHAIN CASE	1		Silver
16-21	92501-06008	SCREW, panhead	2		
16-22	92901-06100	WASHER, spring	2		
16-23	470-15435-00	EMBLEM, chain case	1		

Fig. 17 CRANK PEDAL · FOOTREST



Ref. No.	Part No.	Description	Qty	Applicable Machine No.	Remarks
17- 1	1F1-27810-00	CRANK ASS'Y, pedal left	1		
17- 2	1F1-27815-00	LEVER, crank pedal	1		
17- 3	90501-08460	SPRING, compression	1		
17- 4	91609-30014	PIN, spring	1		
17- 5	283-17496-00	KNOB, transmission change	1		
17- 6	90249-06005	PIN (210-27813-00)	1		
17- 7	92901-06600	WASHER, plate	1		
17- 8	95301-06600	NUT, hexagon	1		
17- 9	1F1-27828-00	GEAR, sprocket pedal (28T)	1		
17-10	92901-16200	WASHER, plain	1		
17-11	2E1-27812-00	AXLE, pedal	1		
17-12	90251-07001	PIN, taper (283-27827-00)	1		
17-13	93430-15023	CIRCLIP (E-15)	1		
17-14	90501-20132	SPRING (283-27825-00)	1		
17-15	93440-25019	CIRCLIP (25 $\phi$ special)	2		
17-16	283-27824-00	PIPE, shaft	1		
17-17	283-27821-00	PEDAL, crank right	1		
17-18	283-27826-00	COVER, pedal crank	1		
17-19	94504-10076	CHAIN (DK410-76L)	1		
17-20	94604-10001	JOINT, chain	1		
17-21	1F1-27850-00	PEDAL ASS'Y, left	1		
17-22	1F1-27860-00	PEDAL ASS'Y, right	1		
17-23	120-27431-00	ARM, rear footrest	2		
17-24	120-27433-00	COVER, rear footrest	2		
17-25	90201-20279	WASHER, plate (20.5-32-2.0)	2		
17-26	91701-06032	PIN, clevis	2		
17-27	91401-16012	PIN, cotter	2		

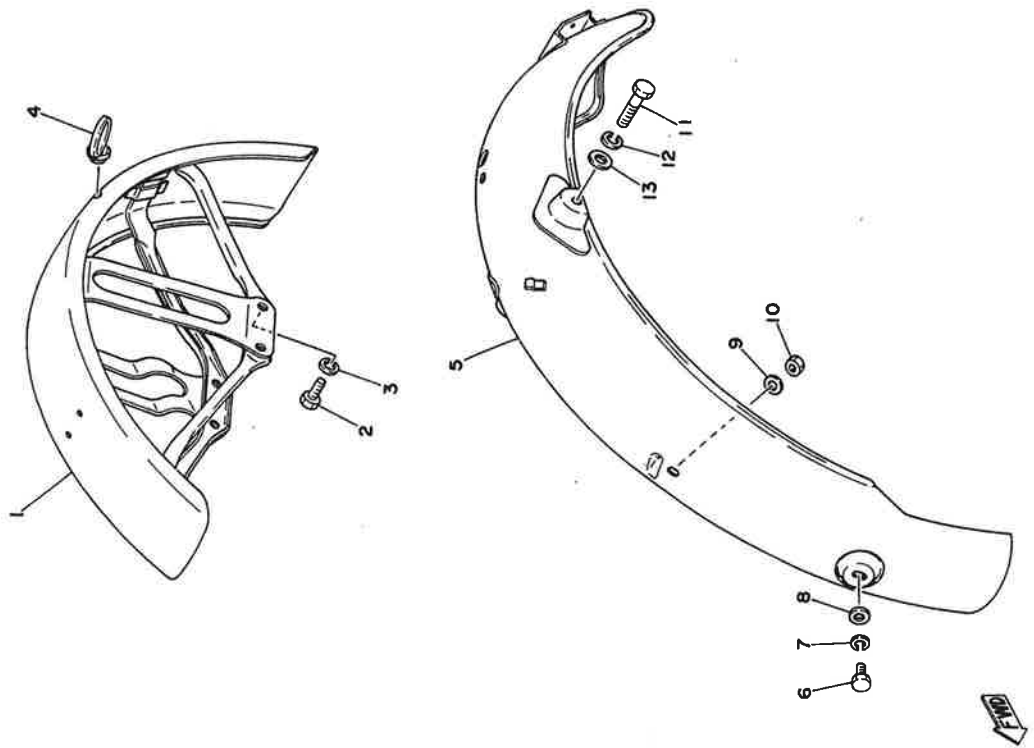
Fig. 18 STAND · BRAKE PEDAL



Ref. No.	Part No.	Description	Qty	Applicable Machine No.	Remarks
18-1	2L5-27111-00-33	STAND, main	1		
18-2	353-27112-00	SHAFT, main stand	1		
18-3	90506-28100	SPRING, tension (276-27316-00)	1		
18-4	93430-12008	CIRCLIP (E-12)	3		
18-5	2E0-27211-00-91	PEDAL, brake	1		
18-6	90508-32056	SPRING (183-27216-00)	1		
18-7	353-27212-00	SHAFT, brake	1		
18-8	195-27231-01	ROD, brake	1		
18-9	92901-06600	WASHER, plate	2		
18-10	91401-20012	PIN, cotter	1		
18-11	90501-10245	SPRING (180-27236-00)	1		
18-12	90249-12008	PIN (156-27237-00)	1		
18-13	90179-06176	NUT, hexagon	1		
18-14	2E1-27314-00	STOPPER	1		



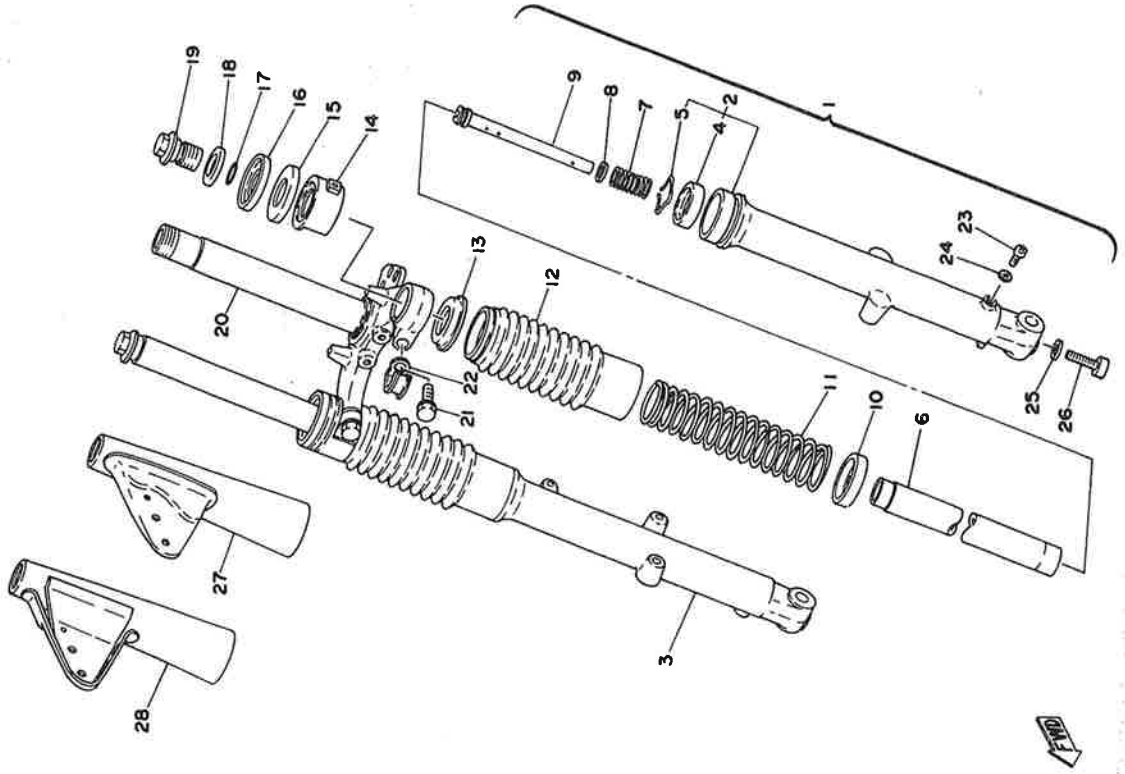
Fig. 19 FRONT FENDER · REAR FENDER



Ref. No.	Part No.	Description	Qty	Applicable Machine No.	Remarks
----------	----------	-------------	-----	------------------------	---------

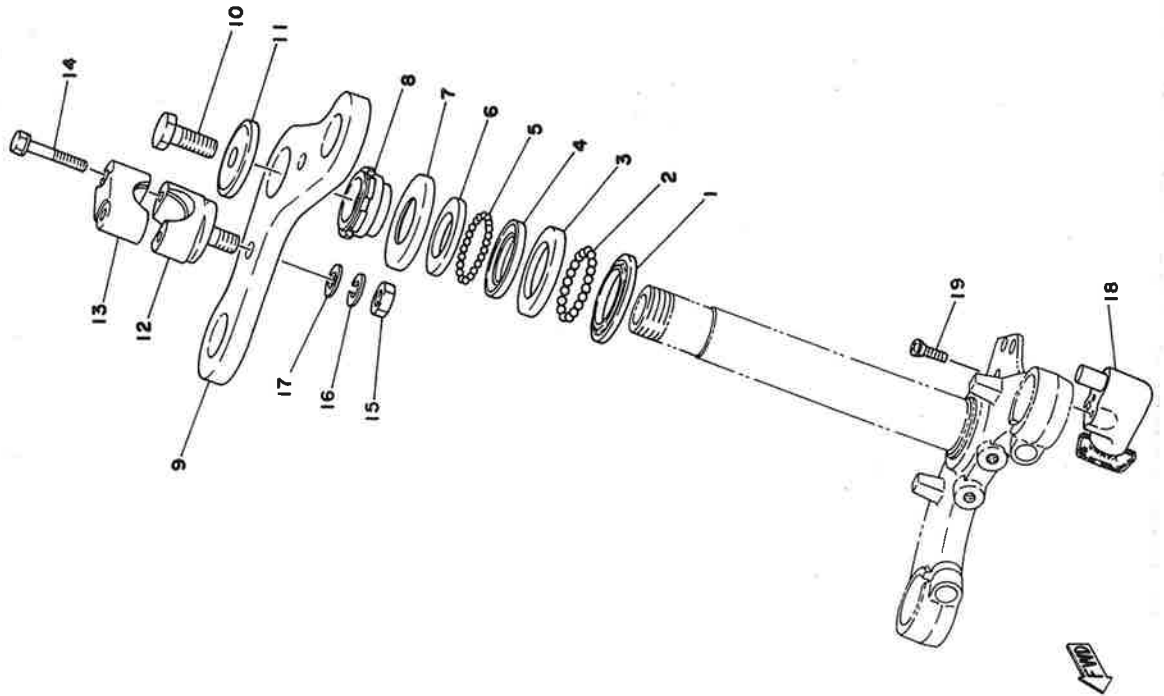
19- 1	2L6-21510-00-93	FRONT FENDER COMP.	1		
19- 2	90101-08281	BOLT, hexagon	2		
19- 3	92901-08100	WASHER, spring	2		
19- 4	1A0-21518-00	HOLDER, wire	2		
19- 5	2L6-21610-02-93	REAR FENDER COMP.	1		
19- 6	97301-06016	BOLT, hexagon	1		
19- 7	92901-06100	WASHER, spring	1		
19- 8	92901-06600	WASHER, plate	1		
19- 9	92901-06600	WASHER, plate	1		
19-10	95301-06600	NUT, hexagon	1		
19-11	97301-08040	BOLT, hexagon	2		
19-12	92901-08100	WASHER, spring	2		
19-13	92901-08600	WASHER, plate	2		

Fig. 20 FRONT FORK



Ref. No.	Part No.	Description	Qty	Applicable Machine No.	Remarks
20-1	481-23101-01	FRONT FORK ASSY	1		
20-2	1Y1-23126-00	TUBE, outer left	1		
20-3	1Y1-23136-00	TUBE, outer right	1		
20-4	1T8-23145-00	OIL SEAL	2		
20-5	1T8-23156-00	CLIP, oil seal	2		
20-6	1Y1-23134-00	INNER TUBE COMP.	2		
20-7	1Y1-23152-00	SPRING, front fork	2		
20-8	1Y1-23157-00	PISTON, front fork	2		
20-9	1Y1-23170-00	CYLINDER, front fork	2		
20-10	596-23117-00	GUIDE, spring	2		
20-11	481-23141-01	SPRING, fork	2		
20-12	428-23191-00	BOOT	2		
20-13	209-23142-40	SEAT, spring upper	2		
20-14	353-23122-90	COVER, outer left	1		
	353-23132-90	COVER, outer right	1		
20-15	207-23163-00	PACKING	2		
20-16	207-23116-01	GUIDE, cover under	2		
20-17	1T8-23114-00	O-RING	2		
20-18	1T8-23112-00	WASHER, cap	2		
20-19	1T8-23111-00	BOLT, cap	2		
20-20	353-23340-91-33	UNDER BRACKET COMP.	1		Yamaha Black
20-21	122-23346-01	BOLT, under bracket	2		
20-22	260-23318-40	HOLDER, wire	1		
20-23	122-23119-01	PLUG, drain	2		
20-24	122-23129-00	GASKET, drain plug	2		
20-25	1N1-23158-00	PACKING	2		
20-26	91311-08025	BOLT, hexagon	2		Yamaha Black
20-27	353-23121-91-33	COVER, upper left	1		Yamaha Black
20-28	353-23131-91-33	COVER, upper right	1		Yamaha Black

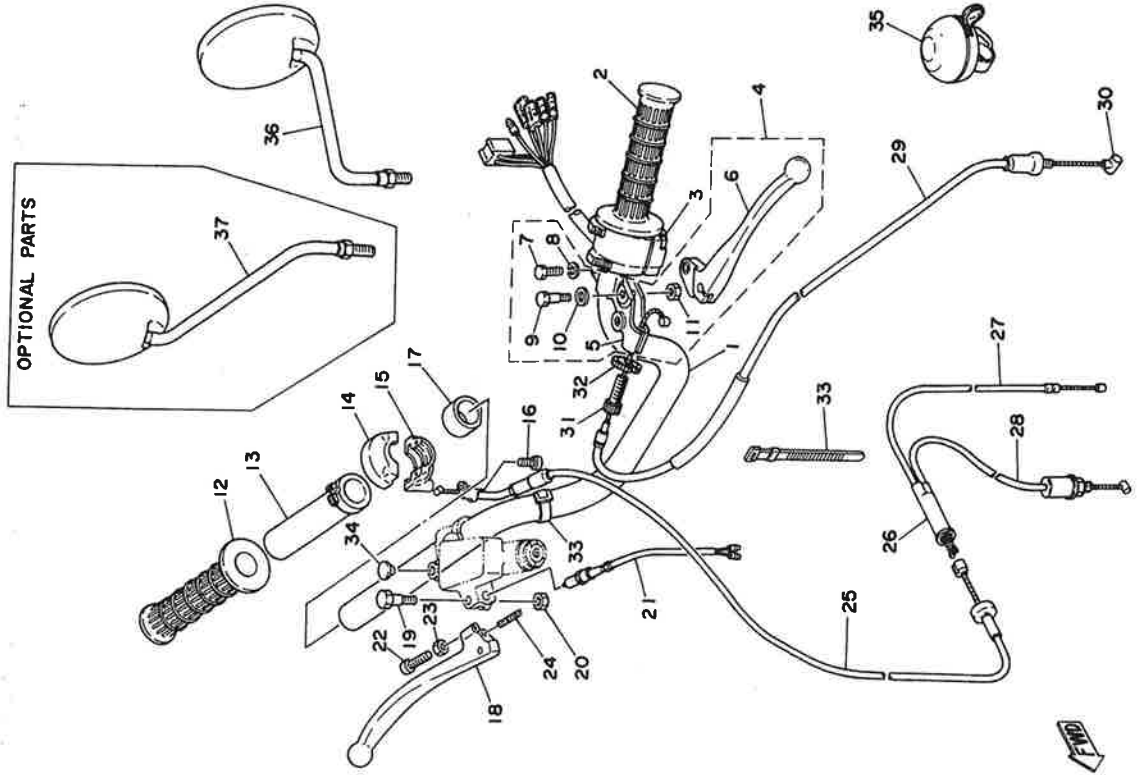
Fig. 21 STEERING



Ref. No.	Part No.	Description	Qty	Applicable Machine No.	Remarks
21-1	156-23411-00	RACE, ball 1	1		
21-2	93501-04011	BALL (1/4 inch)	19		
21-3	156-23412-00	RACE, ball 2	1		
21-4	122-23412-00	RACE, ball 2	1		
21-5	93503-16010	BALL (3/16 inch)	22		
21-6	122-23411-00	RACE, ball 1	1		
21-7	122-23416-00	COVER, ball race	1		
21-8	90179-25051	NUT (122-23453-00)	1		
21-9	185-23435-00-33	CROWN, handle	1		Yamaha Black
21-10	90105-10006	BOLT (122-23451-00)	1		
21-11	90209-10021	WASHER (122-23443-00)	1		
21-12	122-23442-02	HOLDER, handle under	2		
21-13	122-23441-00	HOLDER, handle upper	2		
21-14	90119-06017	BOLT, hexagon with washer	4		
21-15	95301-10600	NUT, hexagon	2		
21-16	92901-10100	WASHER, spring	2		
21-17	92901-10600	WASHER, plate	2		
21-18	353-23480-01	STEERING LOCK ASS'Y	1		
21-19	98601-05012	SCREW, ovalhead	2		

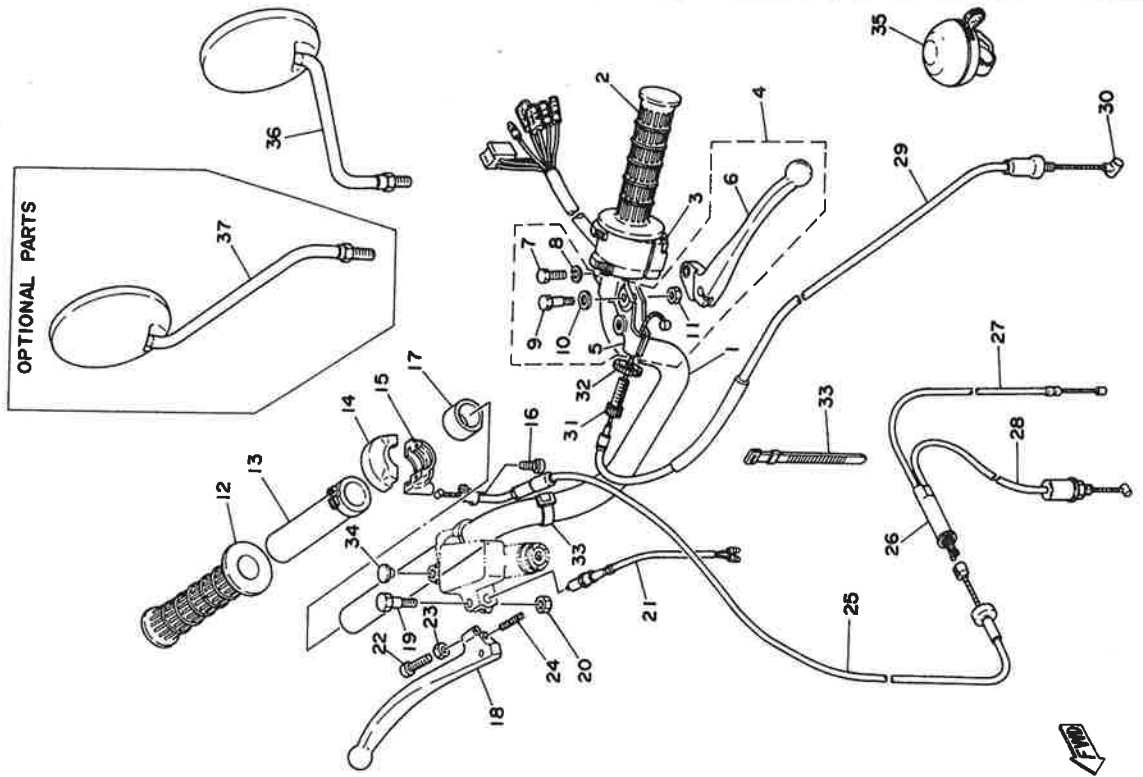


Fig. 22 HANDLE · WIRE



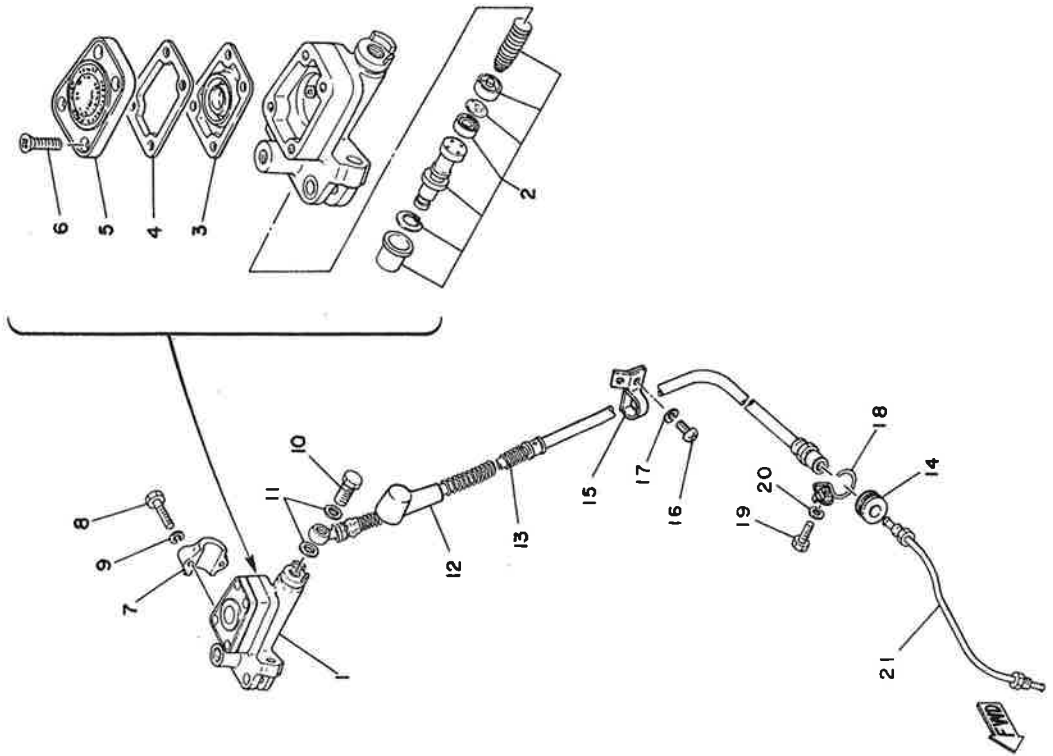
Ref. No.	Part No.	Description	Qty	Applicable Machine No.	Remarks
22-1	481-26111-00	HANDLE	1	STD	Semi Up
	2L6-26111-20	HANDLE	1	By	Alternate Parts
22-2	235-26241-10	GRIP, left	1		
22-3	2E4-83972-00	SWITCH, handle 4	1		
22-4	2L6-83972-20	SWITCH, handle 4	1		for Bar Handle
22-5	360-82910-02	LEVER HOLDER ASS'Y, left	1		
22-6	341-82911-00	HOLDER, lever left	1		
22-7	214-83912-00	LEVER, left	1		
22-8	97301-06022	BOLT, hexagon	1		
22-9	92901-06100	WASHER, spring	1		
22-10	90109-06410	BOLT, hexagon	1		
22-11	90201-08083	WASHER, plate (156-27226-00)	1		
22-12	95601-06100	NUT, U	1		
22-13	306-26242-10	GRIP, right	1		
22-14	1V1-26243-00	TUBE, guide	1		
22-15	307-26281-00	CAP, grip upper	1		
22-16	307-26282-00	CAP, grip under	1		
22-17	98501-05016	SCREW, panhead	2		
22-18	90387-22585	COLLAR	1		
22-19	1A0-83922-00	LEVER, right	1		for Bar Handle
22-20	1V1-83922-00	LEVER, right	1		
22-21	90109-06465	BOLT, hexagon	1		
22-22	95601-06100	NUT, U	1		
22-23	1A0-83980-30	FRONT STOP SWITCH ASS'Y	1		
22-24	90146-06008	SCREW, ovalhead	1		
22-25	90170-06010	NUT, hexagon (306-83927-00)	1		
22-26	90501-10312	SPRING (306-83924-00)	1		
22-27	481-26311-00	WIRE, throttle (610mm)	1		
22-28	266-26261-00	CYLINDER, wire	1		

Fig. 22 HANDLE · WIRE



Ref. No.	Part No.	Description	Qty	Applicable Machine No.	Remarks
22-27	367-26312-01	WIRE, throttle 2 (160mm) .....	1		
22-28	353-26321-02	WIRE, pump (260mm) .....	1		
22-29	481-26333-00	WIRE, clutch (970mm) .....	1		
22-30	164-26363-00	END, wire .....	1		
22-31	90123-08046	BOLT, wire adjusting .....	1		
22-32	90179-08148	NUT (168-26344-00) .....	1		
22-33	168-83936-01	BAND, switch cord .....	2		
22-34	90338-07011	PLUG (116-83931-00) .....	1		
22-35	469-83382-00	BELL .....	1		
22-36	1Y1-26290-10	BACK MIRROR ASS'Y, left .....	1		
22-37	1Y1-26290-00	BACK MIRROR ASS'Y, right .....	1		Optional Parts

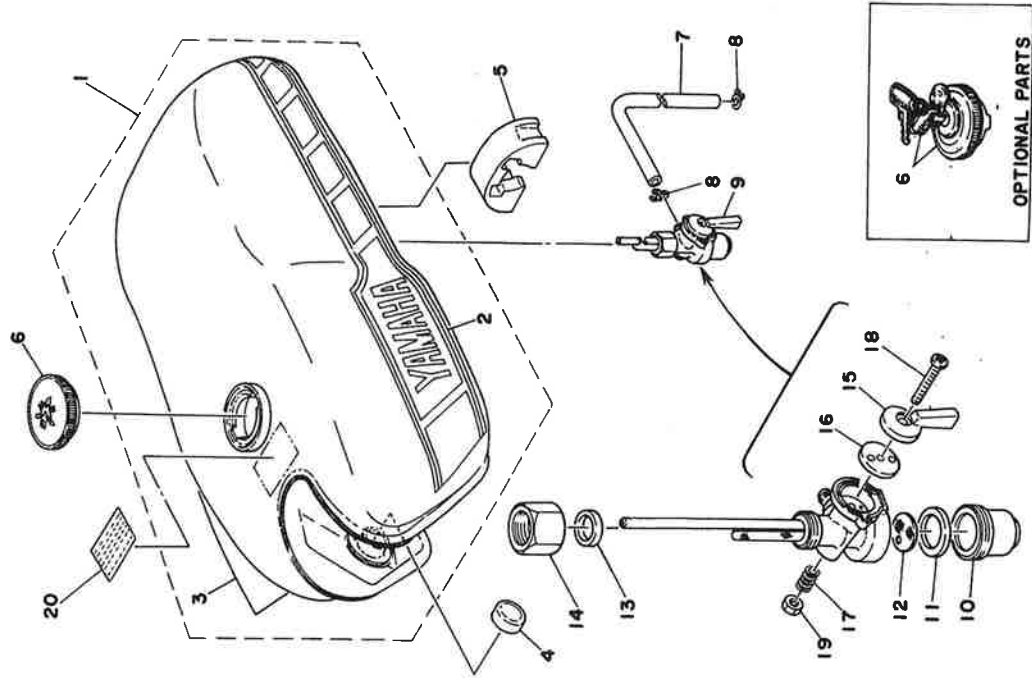
Fig. 23 MASTER CYLINDER · BRAKE HOSE



Ref. No.	Part No.	Description	Q'ty	Applicable Machine No.	Remarks
23- 1	1A0-25850-02	MASTER CYLINDER ASS'Y	1	UR	ASCO
	1Y1-25850-00	MASTER CYLINDER ASS'Y	1		NISSIN
23- 2	1A0-20000-10	CYLINDER KIT, master	1		ASCO
	1Y1-W0041-00	CYLINDER KIT, master	1		NISSIN
23- 3	1A0-25854-01	DIAPHRAGM, reservoir	1		ASCO
	1J3-25854-01	DIAPHRAGM, reservoir	1		NISSIN
23- 4	1A0-25855-01	GASKET, reservoir	1		ASCO
	1J3-25855-01	GASKET, reservoir	1		NISSIN
23- 5	1A0-25893-01	CAP, reservoir	1		ASCO
	1J3-25852-01	CAP, reservoir	1		NISSIN
23- 6	1A0-25824-01	SCREW	4		ASCO
	90151-05008	SCREW	4		NISSIN
23- 7	1J3-25867-00	BRACKET, master	1		ASCO
23- 8	97321-06025	BOLT, hexagon	2		NISSIN
23- 9	92901-06100	WASHER, spring	2		ASCO
23-10	90401-10034	BOLT, union	1		NISSIN
23-11	90201-10118	WASHER, plate	2		ASCO
23-12	360-25862-00	BOOT, master cylinder	1		ASCO
23-13	1K0-25872-03	HOSE, brake 1	1		NISSIN
	2L6-25872-00	HOSE, brake 1	1		ASCO
23-14	341-25881-00	RUBBER, brake hose	1		NISSIN
23-15	1K0-25875-01	HOLDER, brake hose 1	1		ASCO
23-16	92501-06012	SCREW, panhead	1		NISSIN
23-17	92901-06100	WASHER, spring	1		ASCO
23-18	404-25876-00	HOLDER, brake hose 2	1		NISSIN
23-19	97301-06025	BOLT, hexagon	1		ASCO
23-20	92901-06100	WASHER, spring	1		NISSIN
23-21	404-25871-01	PIPE, brake	1		ASCO

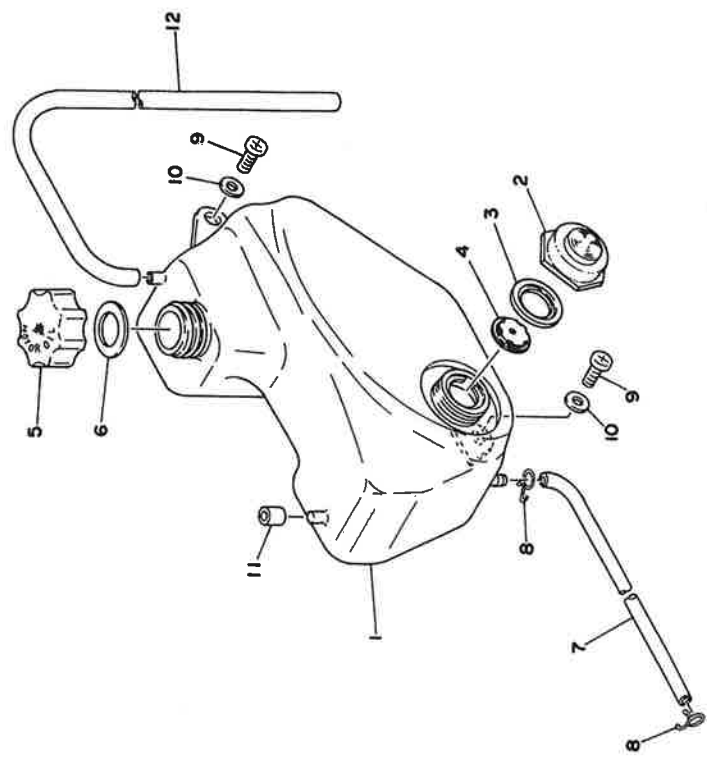
for Br. Handle

Fig. 24 FUEL TANK



Ref. No.	Part No.	Description	Qty	Applicable Machine No.	Remarks
24- 1	2L4-24110-00-01	FUEL TANK COMP.	1	Chappy Red	
	2L4-24110-00-02	FUEL TANK COMP.	1	New Portuguese Orange	
	2L4-24110-00-03	FUEL TANK COMP.	1	Yamaha Black	
	2L4-24110-00-04	FUEL TANK COMP.	1	Machine Blue	
24- 2	2L4-24244-00	. GRAPHIC, fuel tank left	1		
24- 3	2L4-24245-00	. GRAPHIC, fuel tank right	1		
24- 4	122-24181-00	DAMPER, locating 1	2		
24- 5	353-24182-00	DAMPER, locating 2	1		
24- 6	122-24610-01	CAP ASSY	1		
	127-24650-02	CAP ASSY (with lock key)	1	Optional Parts	
24- 7	90445-09079	HOSE (170-24311-00)	1		
24- 8	90467-08003	CLIP (101-24356-00)	2		
24- 9	367-24500-04	FUEL COCK ASSY	1		
24-10	122-24521-00	. CUT, filter	1		
24-11	102-24522-01	. PACKING, filter	1		
24-12	355-24515-00	. NET, filter	1		
24-13	122-24532-00	. GASKET, nut	1		
24-14	603-24531-01	. NUT	1		
24-15	355-24524-01	. LEVER, cock	1		
24-16	355-24523-00	. VALVE	1		
24-17	355-24518-01	. SPRING, lever	1		
24-18	98501-05030	. SCREW, panhead	1		
24-19	95301-05600	. NUT, hexagon	1		
24-20	1G7-24164-00	EMBLEM, caution	1		

Fig. 25 OIL TANK



Ref. No.	Part No.	Description	Qty	Applicable Machine No.	Remarks
25- 1	353-21751-00	TANK, oil	1		
25- 2	353-21764-00	LENS, level gauge	1		
25- 3	353-21763-00	GASKET, level gauge	1		
25- 4	353-21761-00	GAUGE, level	1		
25- 5	296-21771-62	BODY, cap	1		
25- 6	296-21772-00	GASKET, cap	1		
25- 7	90445-09107	HOSE (353-21766-00 5-380)	1		
25- 8	90467-08003	CLIP (101-24356-00)	2		
25- 9	92501-06015	SCREW, panhead	2		
25-10	90201-06067	WASHER, plate	2		
25-11	353-21778-00	DAMPER, locating	2		
25-12	353-21745-00	PIPE, oil tank breather (4.2-500)	1		

Fig. 26 SEAT

Ref. No.	Part No.	Description	Q'ty	Applicable Machine No.	Remarks
26-1	2L5-24730-90	DOUBLE SEAT ASS'Y	1		
26-2	2L5-24731-00	COVER, double seat	1		
26-3	353-24726-00	HINGE, seat	1		
26-4	90101-06304	BOLT, hexagon with washer	3		
26-5	1K8-24774-00	PIN	1		
26-6	353-24768-00	STOPPER, pin	1		
26-7	97301-06016	BOLT, hexagon	1		
26-8	92901-06100	WASHER, spring	1		
26-9	214-24728-00-33	BRACKET, seat	1		Yamaha Black
26-10	2A3-24705-00	SEAT LEVER ASS'Y	1		
26-11	97301-06025	BOLT, hexagon	1		
26-12	92901-06600	WASHER, plate	1		
26-13	214-24724-00	DAMPER, seat	5		
26-14	90101-08305	BOLT, hexagon	2		
26-15	2L5-24756-00-E1	COVER, tail	1		Chappy Red
					New Portuguese Orange
					Yamaha Black
					Marine Blue
26-16	2L4-24757-00	GRAPHIC, tail cover left	1		
26-17	2L4-24767-00	GRAPHIC, tail cover right	1		
26-18	1J7-24786-10	EMBLEM, tail cover	1		
26-19	95301-05600	NUT, hexagon	4		
26-20	92901-05100	WASHER, spring	4		
26-21	92901-05600	WASHER, plate	4		
26-22	2L5-24785-00-E1	MOLD, double seat left	1		Chappy Red
					New Portuguese Orange
					Yamaha Black
					Marine Blue

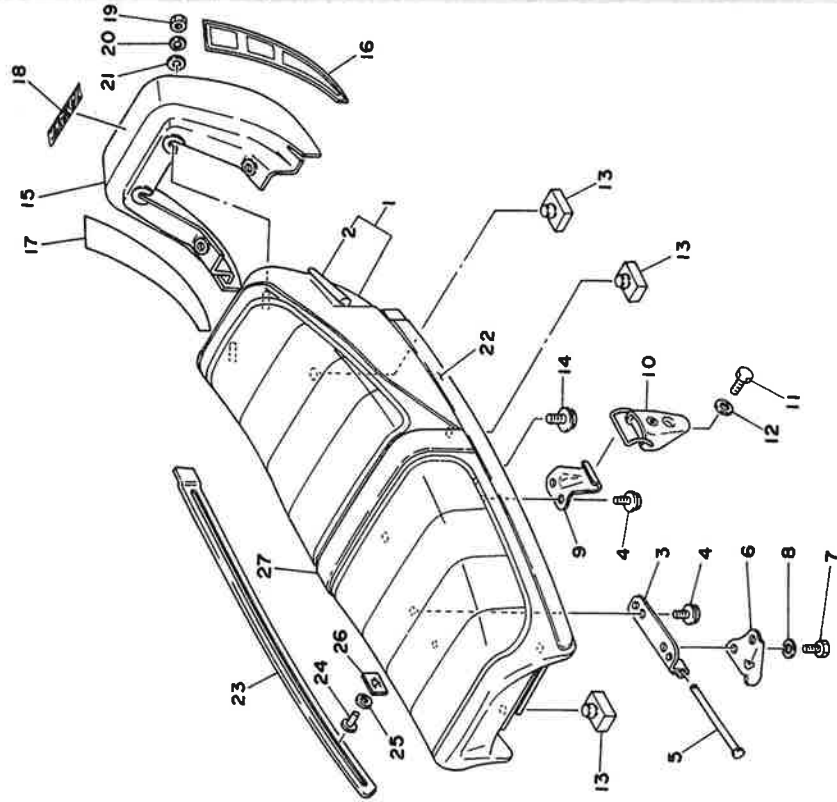
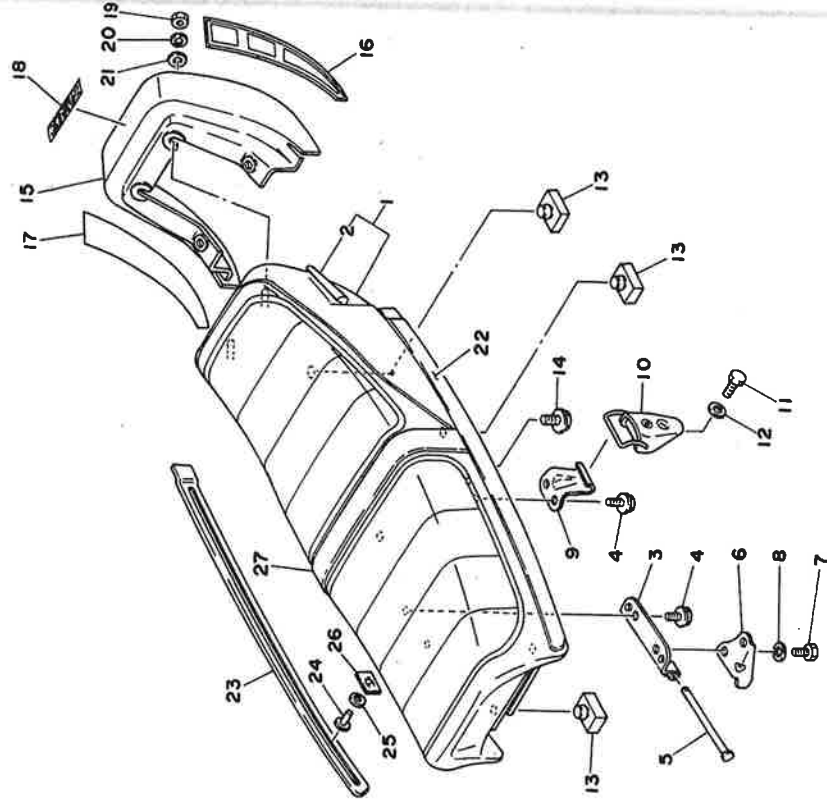
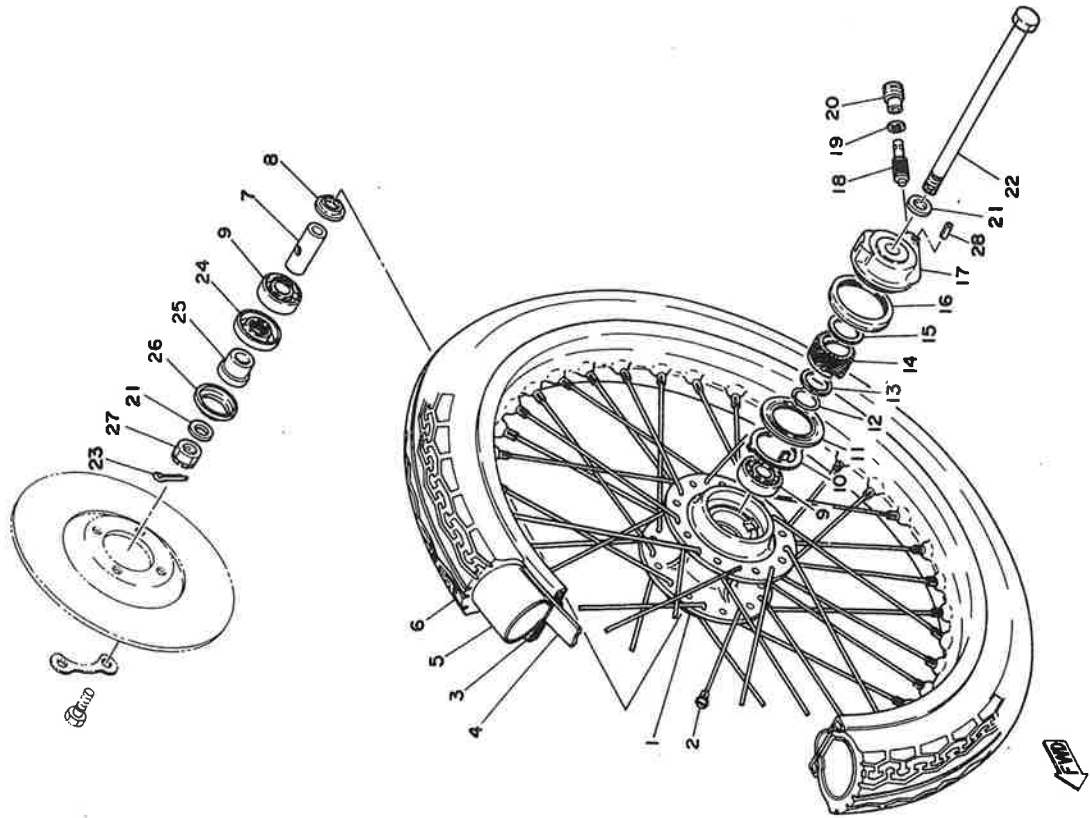


Fig. 26 SEAT



Ref. No.	Part No.	Description	Q'ty	Applicable Machine No.	Remarks
26-23	2L5-24785-10-E1	MOLD, double seat right	1		Chappy Red
	2L5-24785-10-U2	MOLD, double seat right	1		New Portuguese Orange
	2L5-24785-10-33	MOLD, double seat right	1		Yamaha Black
	2L5-24785-10-75	MOLD, double seat right	1		Merine Blue
26-24	1J7-24789-00	RIVET	4		
26-25	1J7-24722-00	WASHER, special	4		
26-26	1J7-24735-00	SPEEDNUT, seat mold	4		
26-27	2L5-24734-00	BAND, seat	1		

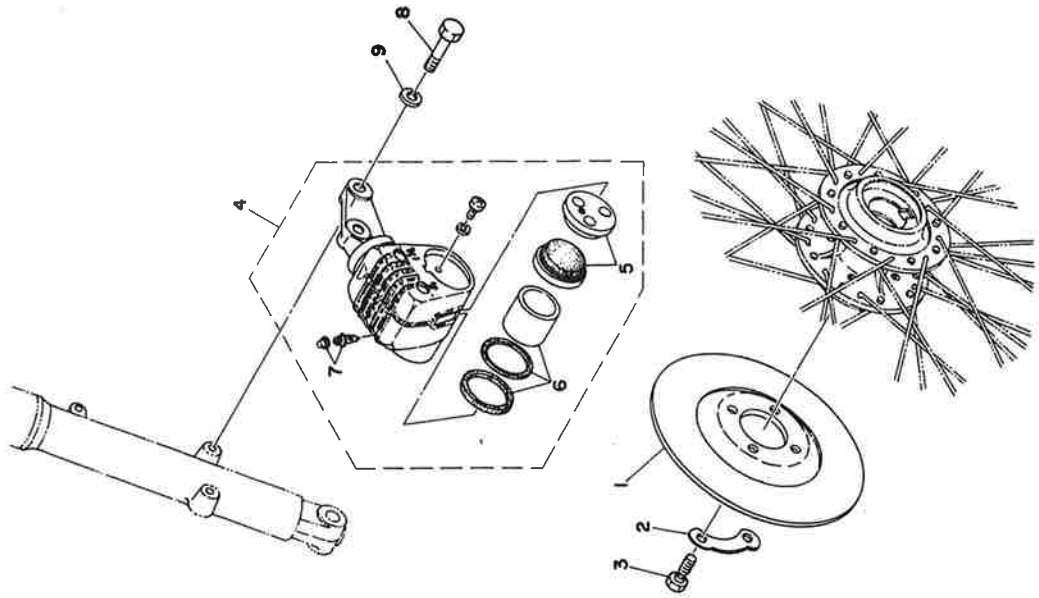
Fig. 27 FRONT WHEEL



Ref. No.	Part No.	Description	Qty	Applicable Machine No.	Remarks
27-1	390-25111-00	HUB, front	1		
27-2	214-25104-00	SPOKE SET	1s		
27-3	94416-18094	RIM, front (1.60-18)	1		
27-4	94325-18043	BAND, rim (2.50-18)	1		
27-5	94225-18006	TUBE, front (2.50-18)	1		
27-6	94125-18295	TIRE, front (2.50-18-4PR)	1		
27-7	90560-12138	SPACER (183-25117-00)	1		
27-8	109-25315-00	FLANGE, spacer	1		
27-9	93306-30103	BEARING (B6301Z)	2		
27-10	341-25149-00	CLUTCH, meter	1		
27-11	341-25846-00	RETAINER, clutch meter	1		
27-12	341-25137-00	RING, stop	1		
27-13	90201-25286	WASHER, plate (341-25147-00)	1		
27-14	404-25135-00	GEAR, drive (26T)	1		
27-15	90201-25490	WASHER, plate (152-17226-00)	1		
27-16	93105-45017	OIL SEAL (SDD-45-56-6)	1		
27-17	390-25191-01	HOUSING, gear meter	1		
27-18	404-25138-00	GEAR, meter (10T)	1		
27-19	102-18416-00	SHIM, rod	1		
27-20	306-25136-00	BUSHING	1		
27-21	92901-12600	WASHER, plate	2		
27-22	367-25381-00	SHAFT, wheel	1		
27-23	91401-30025	PIN, cotter	1		
27-24	93106-20002	OIL SEAL (DD-20-37-8)	1		
27-25	90387-12272	COLLAR	1		
27-26	481-25118-01	COVER, hub dust	1		
27-27	90171-12005	NUT, castle	1		
27-28	91609-20014	PIN, spring	1		



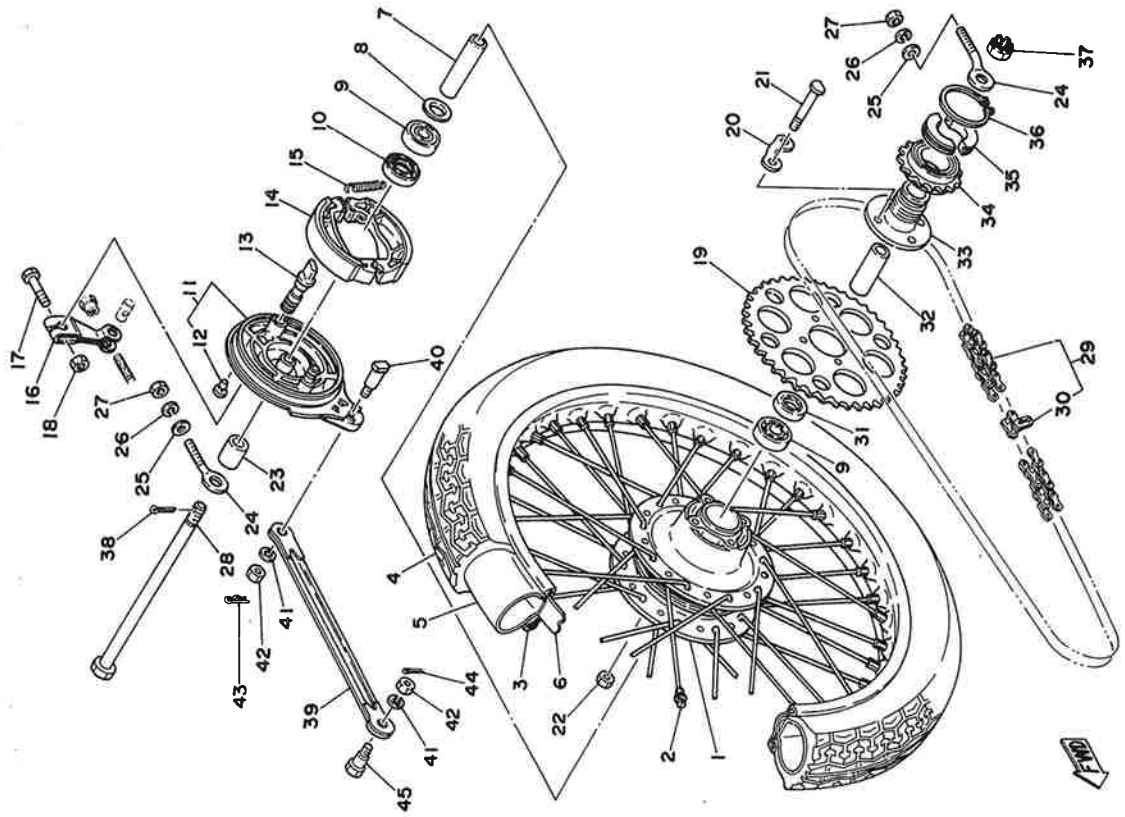
Fig. 28 DISK BRAKE · CALIPER



Ref. No.	Part No.	Description	Qty	Applicable Machine No.	Remarks
28- 1	390-25711-00	DISK, brake .....	1		
28- 2	390-25412-00	WASHER, lock .....	2		
28- 3	90109-08367	BOLT, hexagon .....	4		
28- 4	526-25810-00	CALIPER ASS'Y .....	1		
28- 5	464-20000-11	. PAD LINING ASS'Y .....	1s		
28- 6	404-20000-20	. PISTON ASS'Y .....	1s		
28- 7	404-20000-30	. SCREW BLEED ASS'Y .....	1s		
28- 8	90101-08244	BOLT, hexagon .....	2		
28- 9	92901-08100	WASHER, spring .....	2		

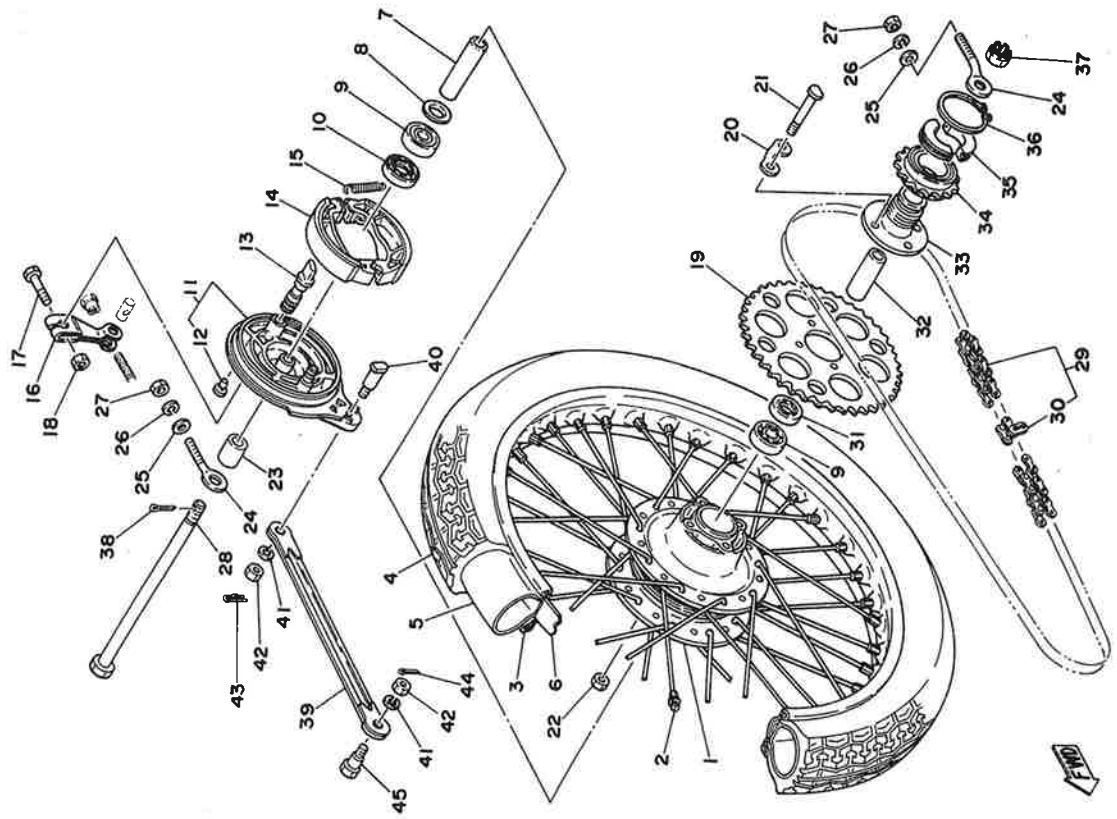


Fig. 29 REAR WHEEL



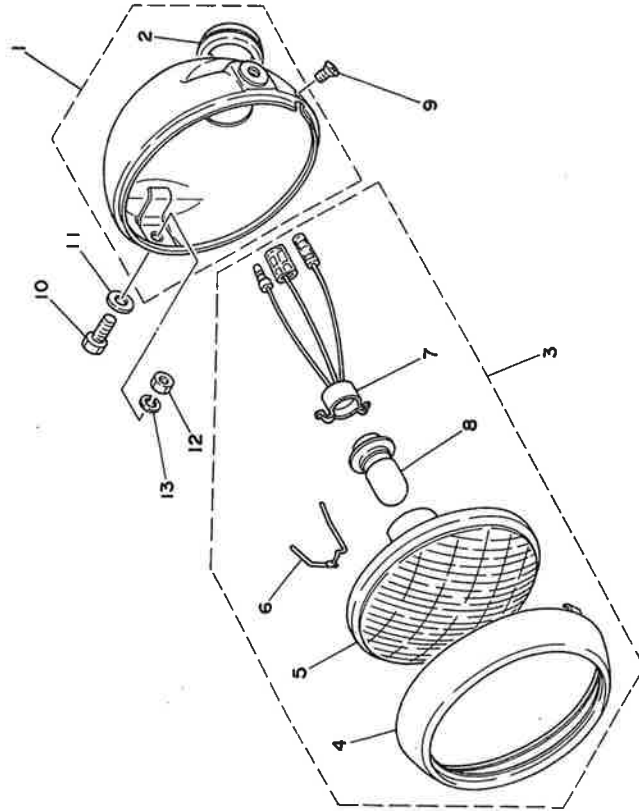
Ref. No.	Part No.	Description	Qty	Applicable Machine No.	Remarks
29- 1	462-25311-01-38	HUB, rear	1		
29- 2	262-25304-00	SPOKE SET, rear	1s		
29- 3	94416-18018	RIM, rear (1.60-18)	1		
29- 4	94127-18247	TIRE, rear (2.75-18-4PR)	1		
29- 5	94227-18010	TUBE, rear (2.75-18)	1		
29- 6	94325-18043	BAND, rim (2.50-18)	1		
29- 7	90560-12170	SPACER	1		
29- 8	102-25315-00	FLANGE, spacer	1		
29- 9	93306-30101	BEARING (B6301)	2		
29-10	93104-21016	OIL SEAL (SO-21-37-7)	1		
29-11	355-25320-00-38	BRAKE SHOE PLATE ASSY	1		
29-12	90480-10068	GROMMET	1		
29-13	538-25351-01	CAMSHAFT	1		
29-14	326-25330-10	BRAKE SHOE COMP.	2		
29-15	90506-16034	SPRING, tension (102-25333-00)	2		
29-16	538-25355-00	LEVER, camshaft	1		
29-17	90101-06278	BOLT, hexagon	1		
29-18	95301-06600	NUT, hexagon	1		
29-19	288-25446-10-33	GEAR, sprocket wheel (46T)	1		
29-20	101-25412-00	WASHER, lock	2		
29-21	90109-08411	BOLT	4		
29-22	90170-08158	NUT, hexagon	4		
29-23	90387-12412	COLLAR (102-25383-00)	1		
29-24	102-25389-00	PULLER, chain	2		
29-25	92901-06600	WASHER, plate	2		
29-26	92901-06100	WASHER, spring	2		
29-27	95301-06600	NUT, hexagon	2		
29-28	1G7-25381-00	SHAFT, rear wheel	1		
29-29	94580-13104	CHAIN (DK420M-104L)	1		

Fig. 29 REAR WHEEL



Ref. No.	Part No.	Description	Qty	Applicable Machine No.	Remarks
29-30	94604-20001	JOINT, chain	1		
29-31	93106-20011	OIL SEAL (DD-20-30-10)	1		
29-32	1G7-25377-00	COLLAR	1		
29-33	1G7-25521-00	BOSS	1		
29-34	550-25510-00	FREE WHEEL ASSY	1		
29-35	550-25522-00	HOLDER	2		
29-36	93410-48020	CIRCLIP (S-48)	1		
29-37	90171-12005	NUT, castle	1		
29-38	91401-30022	PIN, cotter	1		
29-39	451-25371-00	BAR, tension	1		
29-40	90109-08183	BOLT, hexagon (102-25373-00)	1		
29-41	92901-08100	WASHER, spring	2		
29-42	95301-08700	NUT, hexagon	2		
29-43	90468-12007	CLIP (102-25375-00)	1		
29-44	91401-20012	PIN, cotter	2		
29-45	90109-08368	BOLT (183-25378-00)	1		

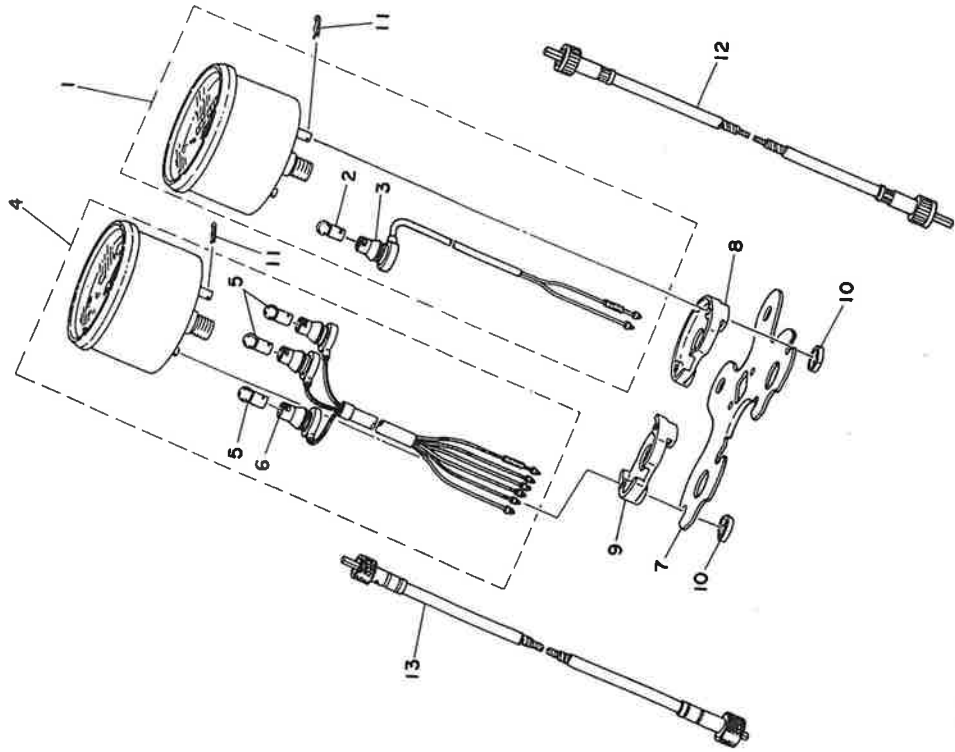
Fig. 30 HEAD LAMP



Ref. No.	Part No.	Description	Qty	Applicable Machine No.	Remarks
30- 1	353-84130-01-33	BODY ASS'Y	1		Yamaha Black
30- 2	214-84153-60	GROMMET	1		
30- 3	260-84110-00	HEAD LAMP UNIT ASS'Y	1		
30- 4	195-84315-01	RIM, head lamp	1		
30- 5	260-84120-00	LENS ASS'Y	1		
30- 6	195-84324-00	SPRING, reflector set	3		
30- 7	241-84312-00	SOCKET	1		
30- 8	104-84114-00	BULB, head lamp (6V-15/15W)	1		
30- 9	90152-05005	SCREW, ovalhead	1		
30-10	97303-08018	BOLT, hexagon	2		
30-11	92903-08200	WASHER, plain	2		
30-12	95301-08600	NUT, hexagon	2		
30-13	92901-08100	WASHER, spring	2		

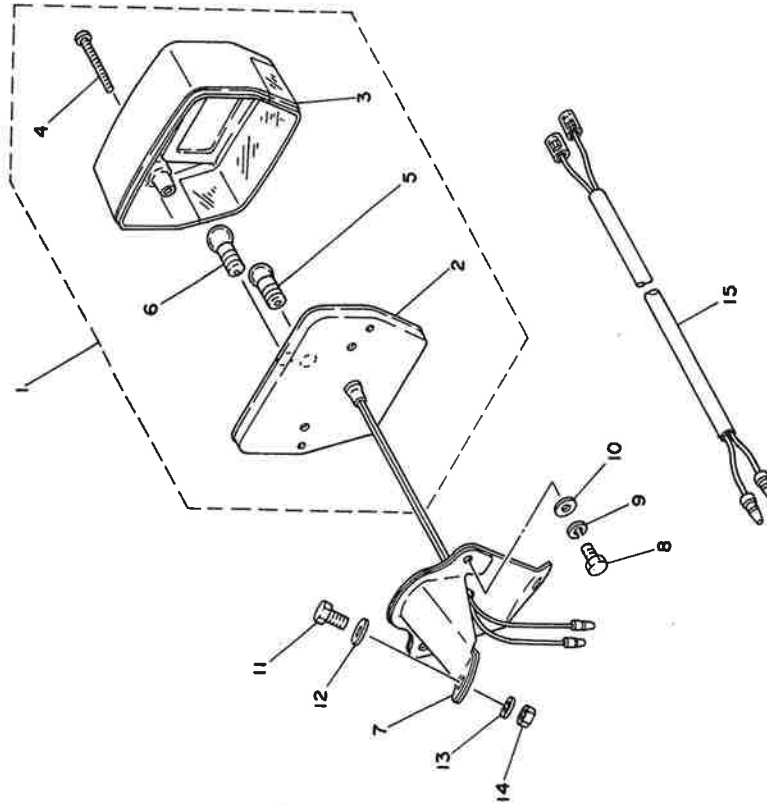


Fig. 31 SPEEDOMETER · TACHOMETER



Ref. No.	Part No.	Description	Qty	Applicable Machine No.	Remarks
31- 1	353-83510-11	SPEEDOMETER ASS'Y	1		
31- 2	188-83517-10	BULB, meter (6V-1.7W)	1		
31- 3	481-83520-50	SOCKET, meter	1		
31- 4	2E4-83540-00	TACHOMETER ASS'Y	1		
31- 5	122-83516-10	BULB, meter (6V-3W)	3		
31- 6	252-83520-01	SOCKET ASS'Y	1		
31- 7	526-83519-00-33	BRACKET, speedometer	1		Yamaha Black
31- 8	214-83523-00	DAMPER	1		
31- 9	237-83523-00	DAMPER	1		
31-10	90209-05029	WASHER (214-83524-00)	4		
31-11	90468-10050	CLIP (156-83525-00)	4		
31-12	481-83550-01	SPEEDOMETER CABLE ASS'Y	UR		
	481-83550-10	SPEEDOMETER CABLE ASS'Y	1		
31-13	481-83560-01	TACHOMETER CABLE ASS'Y	1		

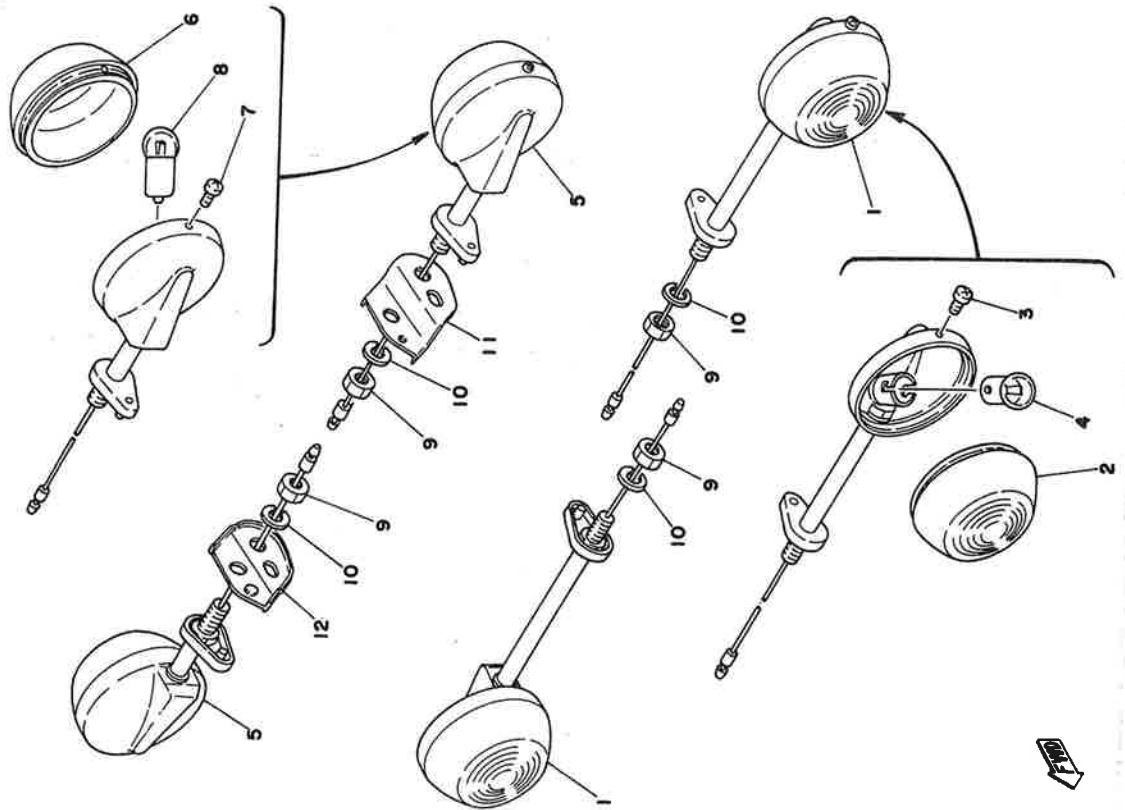
Fig. 32 TAIL LAMP



Ref. No.	Part No.	Description	Qty	Applicable Machine No.	Remarks
32- 1	1X4-84510-90	TAIL LAMP UNIT ASSY	1		
32- 2	1X6-84511-00	BASE, tail lamp	1		
32- 3	1X4-84521-90	LENS, tail lamp	1		
32- 4	1X4-84524-90	SCREW, lens fitting	2		
32- 5	1X4-84514-00	BULB, tail lamp (6V-2W)	1		
32- 6	1X4-84535-00	BULB, tail lamp (6V-5W)	1		
32- 7	1X4-84551-00-35	BRACKET, license	1		Silver
32- 8	97301-05010	BOLT, hexagon	2		
32- 9	92901-05100	WASHER, spring	2		
32-10	92901-05600	WASHER, plate	2		
32-11	97301-06012	BOLT, hexagon	2		
32-12	92901-06600	WASHER, plate	2		
32-13	92901-06100	WASHER, spring	2		
32-14	95301-06600	NUT, hexagon	2		
32-15	2E1-84517-00	CORD, tail lamp	1		

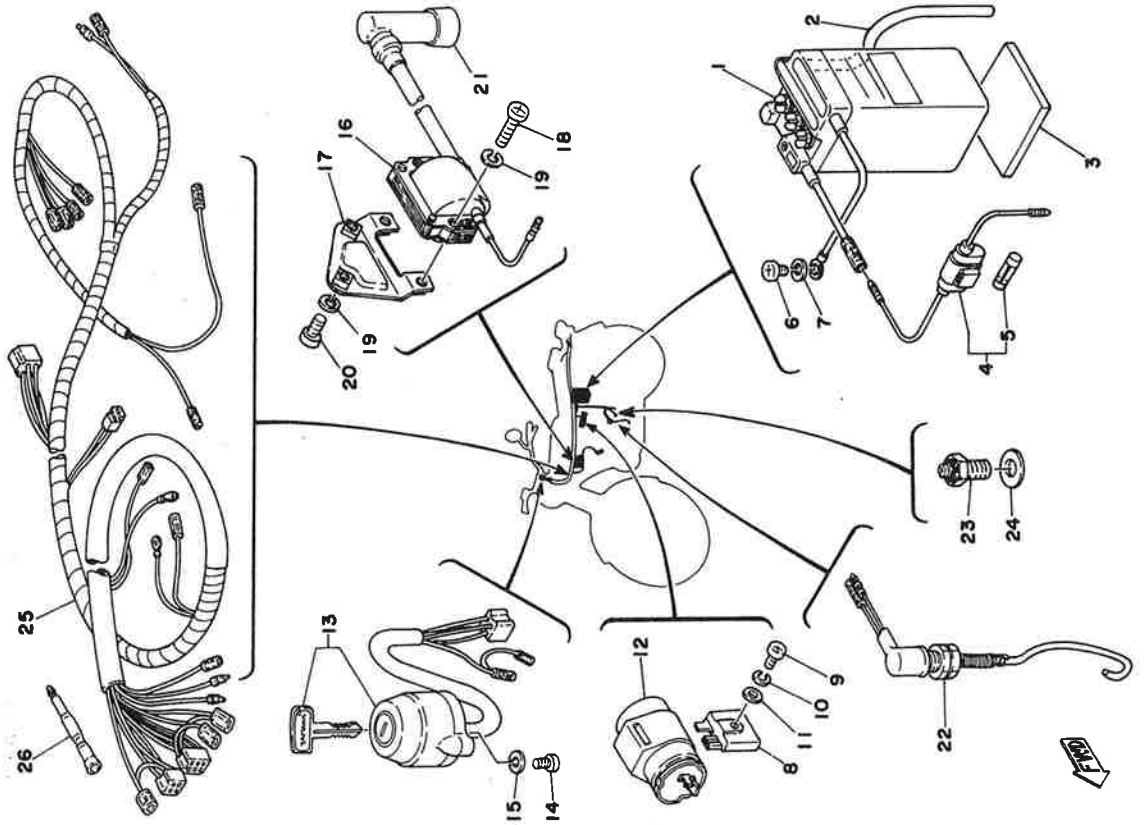


Fig. 33 FLASHER LAMP



Ref. No.	Part No.	Description	Qty	Applicable Machine No.	Remarks
33- 1	1X4-83310-N0-93	FRONT FLASHER LAMP ASS'Y ...	2		
33- 2	1Y1-83312-00	. LENS, flasher lamp .....	2		
33- 3	98501-03006	. SCREW, panhead .....	2		
33- 4	152-83311-10	. BULB, flasher (6V-10W) .....	2		
33- 5	1Y1-83310-N0-93	REAR FLASHER LAMP ASS'Y ...	2		
33- 6	1Y1-83312-00	. LENS, flasher lamp .....	2		
33- 7	98501-03006	. SCREW, panhead .....	2		
33- 8	152-83311-10	. BULB, flasher (6V-10W) .....	2		
33- 9	95301-08600	NUT, hexagon .....	4		
33-10	92901-08100	WASHER, spring .....	4		
33-11	2L7-83368-00	STAY, flasher 3 .....	1		
33-12	2L7-83369-00	STAY, flasher 4 .....	1		

Fig. 34 ELECTRICAL



Ref. No.	Part No.	Description	Q'ty	Applicable Machine No.	Remarks
34-1	104-82110-10	BATTERY ASS'Y (6N4A-4D).....	1	UR	
34-2	104-82110-21	BATTERY ASS'Y (6N4A-4D).....	1	UR	
34-3	90445-08047	HOSE (168-82112-00 5-580) .....	1		
34-4	304-82122-00	SEAT, battery .....	1		
34-5	353-82150-00	FUSE HOLDER ASS'Y .....	1		
34-6	116-82151-00	FUSE (6V-10A) .....	2		
34-7	92501-06010	SCREW, panhead .....	1		
34-8	92901-06100	WASHER, spring .....	1		
34-9	353-81970-50	RECTIFIER ASS'Y .....	1	UR	
34-10	353-81970-63	RECTIFIER ASS'Y .....	1		
34-11	98501-05020	SCREW, panhead .....	1		
34-12	92901-05100	WASHER, spring .....	1		
34-13	92901-05200	WASHER, plain .....	1		
34-14	2A3-83350-10	FLASHER RELAY ASS'Y .....	1		
34-15	2E1-82508-20	MAIN SWITCH ASS'Y .....	1		
34-16	98501-05012	SCREW, panhead .....	2		
34-17	92901-05100	WASHER, spring .....	2		
34-18	336-82310-40	IGNITION COIL ASS'Y .....	1		
34-19	336-82316-01	BRACKET, ignition coil .....	1		
34-20	92501-06025	SCREW, panhead .....	2		
34-21	92901-06100	WASHER, spring .....	4		
34-22	92501-06012	SCREW, panhead .....	2		
34-23	1J7-82370-10	PLUG CAP ASS'Y .....	1		
34-24	353-82530-01	STOP SWITCH ASS'Y .....	1		
34-25	341-82540-01	NEUTRAL SWITCH ASS'Y .....	1		
34-26	90430-11034	GASKET (136-82543-00) .....	1		
34-27	2E4-82590-20	WIRE HARNESS ASS'Y .....	1		
34-28	517-81980-A0	ADJUSTER ASS'Y .....	1		



REPAIR KIT

# REPAIR KIT



## Fig. 35 REPAIR KIT

Ref. No.	Part No.	Description	Qty	Applicable Machine No.	Remarks
35- 1	2L6-11630-00	PISTON ASSY (STD)	1s		
	2L6-11630-10	PISTON ASSY (1st O.S)	1s		
	2L6-11630-20	PISTON ASSY (2nd O.S)	1s		
	2L6-11630-30	PISTON ASSY (3rd O.S)	1s		
	2L6-11630-40	PISTON ASSY (4th O.S)	1s		
35- 2	2L6-11631-00-96	PISTON (STD 39.96mm)	1	Ref. No. 3-9	
	2L6-11635-00	PISTON (40.25mm 1st O.S)	1		
	2L6-11636-00	PISTON (40.25mm 2nd O.S)	1		
	2L6-11637-00	PISTON (40.75mm 3rd O.S)	1		
	2L6-11638-00	PISTON (41.00mm 4th O.S)	1		
35- 3	517-11633-00	PIN, piston	1	3-10	
35- 4	93450-13022	CIRCLIP (132-11634-00)	2	3-11	
35- 5	260-11601-03	PISTON RING SET (STD)	1s	3-12	
	260-11601-13	PISTON RING SET (1st O.S)	1s		
	260-11601-23	PISTON RING SET (2nd O.S)	1s		
	260-11601-33	PISTON RING SET (3rd O.S)	1s		
	260-11601-43	PISTON RING SET (4th O.S)	1s		
35- 6	1K9-11650-00	CONNECTING ROD ASSY	1s		
35- 7	538-11651-00	ROD, connecting	1	3-4	
35- 8	93310-418E3	BEARING, con-rod big end	1	3-5	
35- 9	257-11681-00	PIN, crank	1	3-6	
35-10	90209-18112	WASHER (132-11685-00)	2	3-7	
35-11	93310-11268	BEARING, con-rod small end	1	3-8	
35-12	2L7-W0001-00	GASKET KIT	1s		
35-13	90430-12038	GASKET (132-15353-00)	1	1-9	
35-14	353-11351-00	GASKET, cylinder	1	1-11	
35-15	517-11181-00	GASKET, cylinder head	1	1-13	
35-16	353-15451-00	GASKET, crankcase cover	1	2-7	
35-17	93210-21190	O-RING (2.6-20.6)	1	2-15	

Ref. No.	Part No.	Description	Qty	Applicable Machine No.	Remarks
35-18	137-15353-00	GASKET, drain plug (14-21-15)	1	Ref. No. 6-12	
35-19	93210-13016	O-RING (1.8-13)	1	9-5	
35-20	353-13621-00	PACKING, valve seat	2	10-15	
35-21	1J5-14384-00	GASKET, float chamber	1	11-9	
35-22	132-14613-00	GASKET, exhaust pipe	1	12-10	
35-23	1J5-14714-00	GASKET, muffler joint	1	12-12	
35-24	126-13116-00	GASKET, pump case	1	13-1	
35-25	90430-04004	GASKET (137-13187-00)	1	13-18	
35-26	2E6-W0003-00	OIL SEAL KIT	1s		
35-27	93103-28011	OIL SEAL (SW-28-40-8)	1	3-14	
35-28	93102-20009	OIL SEAL (SD-20-35-7)	1	3-20	
35-29	93104-11028	OIL SEAL (SO-10.5-15-3)	1	4-23	
35-30	93102-25017	OIL SEAL (SD-25-40-5)	1	5-26	
35-31	257-15389-00	SEAL, push rod	1	5-31	
35-32	93101-12004	OIL SEAL (S-12-22-5)	1	7-14	
35-33	93109-15001	OIL SEAL (SDO-15-26-6)	1	8-9	
35-34	93101-10001	OIL SEAL (S-10-21-5)	1	13-6	

# NUMERICAL INDEX



# NUMERICAL INDEX

Ref No.	Part No.	Ref No.	Part No.	Ref No.	Part No.
23-2	1A0-20000-10	23-15	1K0-25875-01	16-2	102-22123-00
19-4	1A0-21518-00	13-11	1K8-13101-01	24-11	102-24522-01
23-6	1A0-25824-01	26-5	1K8-24774-00	29-8	102-25315-00
23-1	1A0-25850-02	14-9	1K8-81325-20	29-24	102-25389-00
23-3	1A0-25854-01	35-6	1K9-11650-00	14-13	104-81328-20
23-4	1A0-25855-01	12-9	1L4-14612-00	34-1	104-82110-10
23-5	1A0-25893-01	12-18	1M3-27114-00	34-1	104-82110-21
22-16	1A0-83922-00	20-25	1N1-23158-00	30-8	104-84114-00
22-21	1A0-83980-30	20-19	1T8-23111-00	27-8	109-25315-00
13-5	1E7-13176-00	20-18	1T8-23112-00	14-14	110-81345-21
16-14	1F1-22122-00	20-17	1T8-23114-00	14-8	110-81346-21
17-1	1F1-27810-00	20-4	1T8-23145-00	14-11	110-81347-21
17-2	1F1-27815-00	20-5	1T8-23156-00	14-6	110-81348-21
17-9	1F1-27828-00	22-13	1V1-26243-00	14-10	116-81331-20
17-21	1F1-27850-00	22-18	1V1-83922-00	34-5	116-82151-00
17-22	1F1-27860-00	33-1	1X4-83310-N0-93	8-15	117-15644-00
11-19	1G3-14336-00	32-1	1X4-84510-90	17-23	120-27431-00
10-15	1G5-13505-00	32-5	1X4-84514-00	17-24	120-27433-00
11-18	1G5-14312-05	32-3	1X4-84521-90	4-4	122-16164-00
11-10	1G5-14381-25	32-4	1X4-84524-90	4-16	122-16164-00
11-9	1G5-14384-00	32-6	1X4-84535-00	20-23	122-23119-01
11-7	1G5-14385-00	32-7	1X4-84551-00-35	20-24	122-23129-00
16-20	1G7-22311-00-35	32-2	1X6-84511-00	20-21	122-23346-01
24-20	1G7-24164-00	23-2	1Y1-W0041-00	21-6	122-23411-00
29-32	1G7-25377-00	20-2	1Y1-23126-00	21-4	122-23412-00
29-28	1G7-25381-00	20-6	1Y1-23134-00	21-7	122-23416-00
29-33	1G7-25521-00	20-3	1Y1-23136-00	21-13	122-23441-00
23-5	1J3-25852-01	20-7	1Y1-23152-00	21-12	122-23442-02
23-3	1J3-25854-01	20-8	1Y1-23157-00	24-4	122-24181-00
23-4	1J3-25855-01	20-9	1Y1-23170-00	24-10	122-24521-00
23-7	1J3-25867-00	23-1	1Y1-25850-00	24-13	122-24532-00
12-11	1J5-14713-00	22-37	1Y1-26290-00	24-6	122-24610-01
12-12	1J5-14714-00	22-36	1Y1-26290-10	31-5	122-83516-10
26-25	1J7-24722-00	33-5	1Y1-83310-N0-93	13-1	126-13116-00
26-26	1J7-24735-00	33-2	1Y1-83312-00	24-6	127-24650-02
26-18	1J7-24786-10	33-6	1Y1-83312-00	4-7	131-16321-00
26-24	1J7-24789-00	29-20	101-25412-00	4-6	131-16367-00
34-21	1J7-82370-10	5-23	102-18137-00-10	12-10	132-14613-00
23-13	1K0-25872-03	27-19	102-18416-00	8-13	132-15664-01

## NUMERICAL INDEX

Ref No.	Part No.	Ref No.	Part No.	Ref No.	Part No.
8-11	132-15676-01	34-25	2E4-82590-20	35-1	2L6-11630-20
4-26	132-16346-00	31-4	2E4-83540-00	35-1	2L6-11630-30
7-10	132-18113-01	22-3	2E4-83972-00	35-1	2L6-11630-40
13-12	137-13137-00-03	1-19	2L4-11127-00	3-9	2L6-11631-00-96
13-12	137-13137-00-05	1-20	2L4-11128-00	3-9	2L6-11631-00-98
13-12	137-13137-00-10	1-12	2L4-11311-00	3-9	2L6-11635-00
13-13	137-13138-01	10-1	2L4-14411-00	3-9	2L6-11636-00
6-12	137-15353-00	10-3	2L4-14412-00	3-9	2L6-11637-00
4-14	137-16356-00	10-2	2L4-14451-00	3-9	2L6-11638-00
33-4	152-83311-10	10-8	2L4-14453-00	11-1	2L6-14301-00
33-8	152-83311-10	24-1	2L4-24110-00-01	12-1	2L6-14710-00
8-6	156-15618-01	24-1	2L4-24110-00-02	12-2	2L6-14753-00
21-1	156-23411-00	24-1	2L4-24110-00-03	15-1	2L6-21110-00-33
21-3	156-23412-00	24-1	2L4-24110-00-04	19-1	2L6-21510-00-93
22-30	164-26363-00	24-2	2L4-24244-00	19-5	2L6-21610-02-93
22-33	168-83936-01	24-3	2L4-24245-00	23-13	2L6-25872-00
16-7	183-22151-00	26-16	2L4-24757-00	22-1	2L6-26111-20
21-9	185-23435-00-33	26-17	2L4-24767-00	22-3	2L6-83972-20
31-2	188-83517-10	27-2	2L4-25104-00	35-12	2L7-W0001-00
18-8	195-27231-01	16-1	2L5-22110-00-33	33-11	2L7-83368-00
30-4	195-84315-01	26-1	2L5-24730-90	33-12	2L7-83369-00
30-6	195-84324-00	26-2	2L5-24731-00	15-12	2M4-14729-00
4-2	2A3-16150-00	26-27	2L5-24734-00	20-16	207-23116-01
4-1	2A3-16301-00	26-15	2L5-24756-00-E1	20-15	207-23163-00
26-10	2A3-24705-00	26-15	2L5-24756-00-U2	14-4	207-81312-21
34-12	2A3-83350-10	26-15	2L5-24756-00-33	20-13	209-23142-40
14-7	2A6-81321-20	26-15	2L5-24756-00-75	5-13	214-17428-00-09
35-26	2E0-W0003-00	26-22	2L5-24785-00-E1	9-6	214-17811-02
12-8	2E0-14611-00	26-22	2L5-24785-00-U2	9-10	214-17812-00
18-5	2E0-27211-00-91	26-22	2L5-24785-00-33	9-4	214-17841-01
12-13	2E1-14771-00	26-22	2L5-24785-00-75	9-8	214-17847-00
12-5	2E1-14772-00	26-23	2L5-24785-10-E1	7-7	214-18178-00
8-1	2E1-15610-00	26-23	2L5-24785-10-U2	6-19	214-18531-00
18-14	2E1-27314-00	26-23	2L5-24785-10-33	6-3	214-18561-00
17-11	2E1-27812-00	26-23	2L5-24785-10-75	26-13	214-24724-00
34-13	2E1-82508-20	18-1	2L5-27111-00-33	26-9	214-24728-00-33
32-15	2E1-84517-00	1-14	2L6-11111-00	31-8	214-83523-00
14-1	2E4-81300-20	35-1	2L6-11630-00	22-6	214-83912-00
14-12	2E4-81315-20	35-1	2L6-11630-10	30-2	214-84153-60

## NUMERICAL INDEX

Ref No.	Part No.	Ref No.	Part No.	Ref No.	Part No.
22-2	235-26241-10	15-9	288-21376-00	4-9	353-16351-00
9-1	237-17861-10	29-19	288-25446-10-33	4-18	353-16357-00
31-9	237-83523-00	25-5	296-21771-62	4-5	353-16371-00
4-21	241-16341-01	25-6	296-21772-00	4-22	353-16396-00
30-7	241-84312-00	34-3	304-82122-00	5-5	353-17121-10
13-25	248-13174-00	27-20	306-25136-00	5-4	353-17131-00
8-18	248-15668-00	22-12	306-26242-10	5-2	353-17141-01
9-2	248-17837-00	22-14	307-26281-00	5-17	353-17211-00
31-6	252-83520-01	22-15	307-26282-00	5-12	353-17221-00
3-6	257-11681-00	10-11	314-13613-00	5-15	353-17231-00
13-3	257-13175-00	10-12	314-13616-01	5-16	353-17241-00
5-31	257-15389-00	29-14	326-25330-10	5-1	353-17411-10
4-8	257-16324-00	34-16	336-82310-40	5-8	353-17471-00
5-18	257-17219-00	34-17	336-82316-01	9-7	353-17816-00
5-28	257-17461-11	27-12	341-25137-00	9-3	353-17831-00
5-28	257-17461-21	27-10	341-25149-00	7-8	353-18101-00
5-28	257-17461-31	27-11	341-25846-00	7-9	353-18111-00-93
3-12	260-11601-13	23-14	341-25881-00	7-1	353-18120-00
3-12	260-11601-03	34-23	341-82540-01	6-5	353-18511-01
3-12	260-11601-23	22-5	341-82911-00	6-18	353-18512-01
3-12	260-11601-33	1-11	353-11351-00	6-14	353-18547-00
3-12	260-11601-43	13-8	353-13178-00	6-8	353-18562-00
20-22	260-23318-40	13-21	353-13552-01	15-10	353-21711-00-E1
30-3	260-84110-00	10-10	353-13610-01	15-10	353-21711-00-U2
30-5	260-84120-00	10-14	353-13621-00	15-10	353-21711-00-33
29-2	262-25304-00	1-1	353-15111-00	15-10	353-21711-00-75
22-26	266-26261-00	1-2	353-15121-02	15-13	353-21717-00
8-2	283-15612-01	2-16	353-15361-00	15-11	353-21721-00-E1
17-5	283-17496-00	2-14	353-15362-00	15-11	353-21721-00-U2
17-17	283-27821-00	2-1	353-15411-00-Y4	15-11	353-21721-00-33
17-16	283-27824-00	2-2	353-15415-00-Y4	15-11	353-21721-00-75
17-18	283-27826-00	2-12	353-15416-00-Y4	25-12	353-21763-00
11-26	288-14124-00	2-6	353-15421-00-Y4	25-1	353-21751-00
11-20	288-14137-00	2-9	353-15437-02	25-4	353-21761-00
11-25	288-14161-00	2-7	353-15451-00	25-3	353-21763-00
11-3	288-14341-03	8-17	353-15641-00	25-2	353-21764-00
11-4	288-14343-33	5-22	353-15651-00	25-11	353-21778-00
11-4	288-14343-34	8-8	353-15660-02	16-3	353-22141-02
11-4	288-14343-35	3-16	353-16111-01	16-17	353-22210-20-93

## NUMERICAL INDEX

Ref. No.	Part No.	Ref. No.	Part No.	Ref. No.	Part No.
20-27	353-23121-91-33	11-28	367-14371-00	31- 3	481-83520-50
20-14	353-23122-90	11-33	367-14373-00	31-12	481-83550-01
20-28	353-23131-91-33	11-32	367-14374-00	31-12	481-83550-10
20-14	353-23132-90	11-30	367-14375-01	31-13	481-83560-01
20-20	353-23340-91-33	11-31	367-14377-00	1-17	492-15387-00
20-18	353-23480-01	11- 8	367-14386-00	1-13	517-11181-00
24- 5	353-24182-00	11- 5	367-14390-14	3-10	517-11633-00
26- 3	353-24726-00	11-34	367-14396-00	34-26	517-81980-A0
26- 6	353-24768-00	7- 2	367-18197-00	14- 2	520-81309-20
22-28	353-26321-02	6- 1	367-18541-01	28- 4	526-25810-00
18- 2	353-27112-00	24- 9	367-24500-04	31- 7	526-83519-00-33
18- 7	353-27212-00	27-22	367-25381-00	3- 1	538-11400-01
15- 8	353-28100-11	22-27	367-26312-01	3- 4	538-11651-00
14- 5	353-81313-20	6-10	374-18141-00	29-13	538-25351-01
14- 3	353-81350-20	27- 1	390-25111-00	29-16	538-25355-00
34- 8	353-81970-50	27-17	390-25191-01	16- 9	550-22178-00
34- 8	353-81970-63	28- 2	390-25412-00	16- 8	550-22179-00
34- 4	353-82150-00	28- 1	390-25711-00	29-34	550-25510-00
34-22	353-82530-01	28- 6	404-20000-20	29-35	550-25522-00
31- 1	353-83510-11	28- 7	404-20000-30	20-10	596-23117-00
30- 1	353-84130-01-33	27-14	404-25135-00	5-10	598-17421-00
24-12	355-24515-00	27-18	404-25138-00	24-14	603-24531-01
24-17	355-24518-01	23-21	404-25871-01	11-15	646-14211-02
24-16	355-24523-00	23-18	404-25876-00	11-14	646-14212-01
24-15	355-24524-01	3- 2	420-11412-00	29-17	90101-06278
29-11	355-25320-00-38	3- 3	420-11422-00	26- 4	90101-06304
23-12	360-25862-00	20-12	428-23191-00	28- 8	90101-08244
22- 4	360-82910-02	4-25	451-16343-00	19- 2	90101-08281
13-14	367-13146-01	29-39	451-25371-00	26-14	90101-08305
11-23	367-14126-00	29- 1	462-25311-01-38	21-10	90105-10006
11-21	367-14136-02	28- 5	464-20000-11	22- 9	90109-06410
11-24	367-14168-00	22-35	469-83382-00	22-19	90109-06465
11-27	367-14169-00	16-23	470-15435-00	29-40	90109-08183
11- 6	367-14195-00	20- 1	481-23101-01	28- 3	90109-08367
11-17	367-14323-00	20-11	481-23141-01	29-45	90109-08368
11-22	367-14331-00	27-26	481-25118-01	29-21	90109-08411
11-29	367-14335-00	22- 1	481-26111-00	6-11	90109-14485
11-16	367-14337-00	22-25	481-26311-00	4-20	90113-06013
11- 2	367-14342-17	22-29	481-26335-00	1-10	90116-06026

## NUMERICAL INDEX

Ref. No.	Part No.	Ref. No.	Part No.	Ref. No.	Part No.
4-10	90119-05001	5-29	90215-13019	18-11	90501-10245
21-14	90119-06017	17- 6	90249-06005	22-24	90501-10312
22-31	90123-08046	18-12	90249-12008	4-11	90501-20125
22-22	90146-06008	17-12	90251-07001	17-14	90501-20132
7- 5	90149-08094	3-24	90280-03017	8- 3	90504-18005
23- 6	90151-05008	3-25	90282-05005	4-27	90506-07066
30- 9	90152-05005	6-16	90334-12009	29-15	90506-16034
22-23	90170-06010	22-34	90338-07011	18- 3	90506-28100
29-22	90170-08158	1- 8	90340-12005	16-15	90508-20300
4-13	90170-12060	9-12	90381-08002	8-12	90508-29323
3-23	90170-12175	9- 9	90383-10005	7- 3	90508-32054
27-27	90171-12005	16-10	90387-06268	18- 6	90508-32056
29-37	90171-12005	27-25	90387-12272	29- 7	90560-12138
18-13	90179-06176	29-23	90387-12412	27- 7	90560-12170
22-32	90179-08148	5-11	90387-16126	4-15	90560-17123
5-30	90179-12181	5-27	90387-17137	20-26	91311-08025
3-18	90179-12244	3-15	90387-20170	17-27	91401-16012
21- 8	90179-25051	22-17	90387-22565	18-10	91401-20012
10- 6	90201-06055	23-10	90401-10034	29-44	91401-20012
15-15	90201-06067	13-18	90430-04004	6- 7	91401-25017
25-10	90201-06067	34-24	90430-11034	29-38	91401-30022
22-10	90201-08083	1- 9	90430-12038	27-23	91401-30025
13- 2	90201-08624	13-23	90445-05217	27-28	91609-20014
23-11	90201-10118	34- 2	90445-08047	17- 4	91609-30014
13- 7	90201-10135	24- 7	90445-09079	17-26	91701-06032
16-19	90201-12190	25- 7	90445-09107	1- 7	91830-21014
3-21	90201-12535	10- 9	90460-33087	2- 8	91830-21014
7-13	90201-12575	10- 7	90460-64142	1- 3	91830-22016
5-20	90201-13202	24- 8	90467-08003	16-21	92501-06008
17-25	90201-20279	25- 8	90467-08003	34- 6	92501-06010
27-13	90201-25286	13-22	90468-02033	5- 9	92501-06012
27-15	90201-25490	13-24	90468-02033	23-16	92501-06012
5-21	90206-15021	31-11	90468-10050	34-20	92501-06012
3-17	90208-12015	29-43	90468-12007	10- 4	92501-06014
4-12	90208-12015	8-16	90468-26038	4-24	92501-06015
31-10	90209-05029	29-12	90480-10068	15-14	92501-06015
21-11	90209-10021	13-20	90501-02217	25- 9	92501-06015
8- 4	90209-10108	17- 3	90501-08460	2- 3	92501-06020
3- 7	90209-18112	6-13	90501-09292	10-16	92501-06020

NUMERICAL INDEX

Ref No.	Part No.	Ref No.	Part No.	Ref No.	Part No.
1- 6	92501-06025	26-12	92901-06600	27- 9	93306-30103
2-13	92501-06025	29-25	92901-06600	5-25	93306-30301
34-18	92501-06025	32-12	92901-06600	3- 8	93310-11268
2- 5	92501-06030	12-15	92901-08100	3- 5	93310-418E3
2-11	92501-06030	12-17	92901-08100	5-24	93410-12003
2-10	92501-06040	15- 4	92901-08100	5- 6	93410-13004
2- 4	92501-06045	19- 3	92901-08100	19- 3	93410-13004
1- 4	92501-06050	19-12	92901-08100	8-10	93410-15005
1- 5	92501-06055	28- 9	92901-08100	8-14	93410-25017
6- 9	92701-06012	29-41	92901-08100	29-36	93410-48020
11-11	92901-04100	30-13	92901-08100	13- 9	93430-08006
12- 4	92901-05100	33-10	92901-08100	16-16	93430-08006
13-15	92901-05100	19-13	92901-08600	6-20	93430-10016
26-20	92901-05100	16- 5	92901-10100	7- 4	93430-10016
32- 9	92901-05100	21-16	92901-10100	7-12	93430-10016
34-10	92901-05100	16- 4	92901-10600	18- 4	93430-12008
34-15	92901-05100	21-17	92901-10600	17-13	93430-15023
34-11	92901-05200	3-22	92901-12100	8- 5	93440-10028
26-21	92901-05600	27-21	92901-12600	6-17	93440-12026
32-10	92901-05600	17-10	92901-16200	5- 3	93440-16030
12- 7	92901-06100	30-11	92903-08200	5-14	93440-16030
16-12	92901-06100	13- 6	93101-10001	17-15	93440-25019
16-22	92901-06100	7-14	93101-12004	3-11	93450-13022
19- 7	92901-06100	3-20	93102-20009	21- 2	93501-04011
22- 8	92901-06100	5-26	93102-25017	4-17	93503-16010
23- 9	92901-06100	3-14	93103-28011	21- 5	93503-16010
23-17	92901-06100	4-23	93104-11028	13-19	93505-32002
23-20	92901-06100	29-10	93104-21016	13- 4	93603-22028
26- 8	92901-06100	27-16	93105-45017	6-15	93604-08071
29-26	92901-06100	27-24	93106-20002	6- 2	93604-10011
32-13	92901-06100	29-31	93106-20011	6- 6	93606-14081
34- 7	92901-06100	8- 9	93109-15001	27- 6	94125-18295
34-19	92901-06100	9- 5	93210-13016	29- 4	94127-18247
1-16	92901-06200	2-15	93210-21190	27- 5	94225-18006
10- 5	92901-06600	4- 3	93210-98202	29- 5	94227-18010
17- 7	92901-06600	5- 7	93306-20303	27- 4	94325-18043
18- 9	92901-06600	3-13	93306-20418	29- 6	94325-18043
19- 8	92901-06600	3-19	93306-20418	29- 3	94416-18018
19- 9	92901-06600	29- 9	93306-30101	27- 3	94416-18094

NUMERICAL INDEX

Ref No.	Part No.	Ref No.	Part No.	Ref No.	Part No.
17-19	94504-10076	23-19	97301-06025	23-19	97301-06025
29-29	94580-13104	26-11	97301-06025	26-11	97301-06025
17-20	94604-10001	19-11	97301-08040	19-11	97301-08040
29-30	94604-20001	30-10	97303-08018	30-10	97303-08018
1-18	94701-00039	8- 7	97311-06025	8- 7	97311-06025
13-16	95301-05600	7-11	97321-06020	7-11	97321-06020
24-19	95301-05600	23- 8	97321-06025	23- 8	97321-06025
26-19	95301-05600	12-16	97321-08018	12-16	97321-08018
1-15	95301-06600	10-13	97602-03108	10-13	97602-03108
12- 6	95301-06600	11-13	97801-06025	11-13	97801-06025
17- 8	95301-06600	33- 3	98501-03006	33- 3	98501-03006
19-10	95301-06600	33- 7	98501-03006	33- 7	98501-03006
29-18	95301-06600	12- 3	98501-05008	12- 3	98501-05008
29-27	95301-06600	34-14	98501-05012	34-14	98501-05012
32-14	95301-06600	13-10	98501-05016	13-10	98501-05016
4-19	95301-06700	22-16	98501-05016	22-16	98501-05016
16-13	95301-06700	34- 9	98501-05020	34- 9	98501-05020
7- 6	95301-08600	24-18	98501-05030	24-18	98501-05030
12-14	95301-08600	11-12	98503-04010	11-12	98503-04010
30-12	95301-08600	21-19	98601-05012	21-19	98601-05012
33- 9	95301-08600	6- 4	98701-05012	6- 4	98701-05012
29-42	95301-08700	14-15	98701-05015	14-15	98701-05015
16- 6	95301-10600	13-17	98901-04008	13-17	98901-04008
21-15	95301-10600				
16-18	95304-12800				
22-11	95601-06100				
22-20	95601-06100				
15- 7	95601-08100				
15- 3	95701-08100				
15- 5	98821-08090				
15- 6	98821-08100				
15- 2	98821-08120				
32- 8	97301-05010				
9-11	97301-06010				
32-11	97301-06012				
19- 6	97301-06016				
26- 7	97301-06016				
22- 7	97301-06022				
16-11	97301-06025				